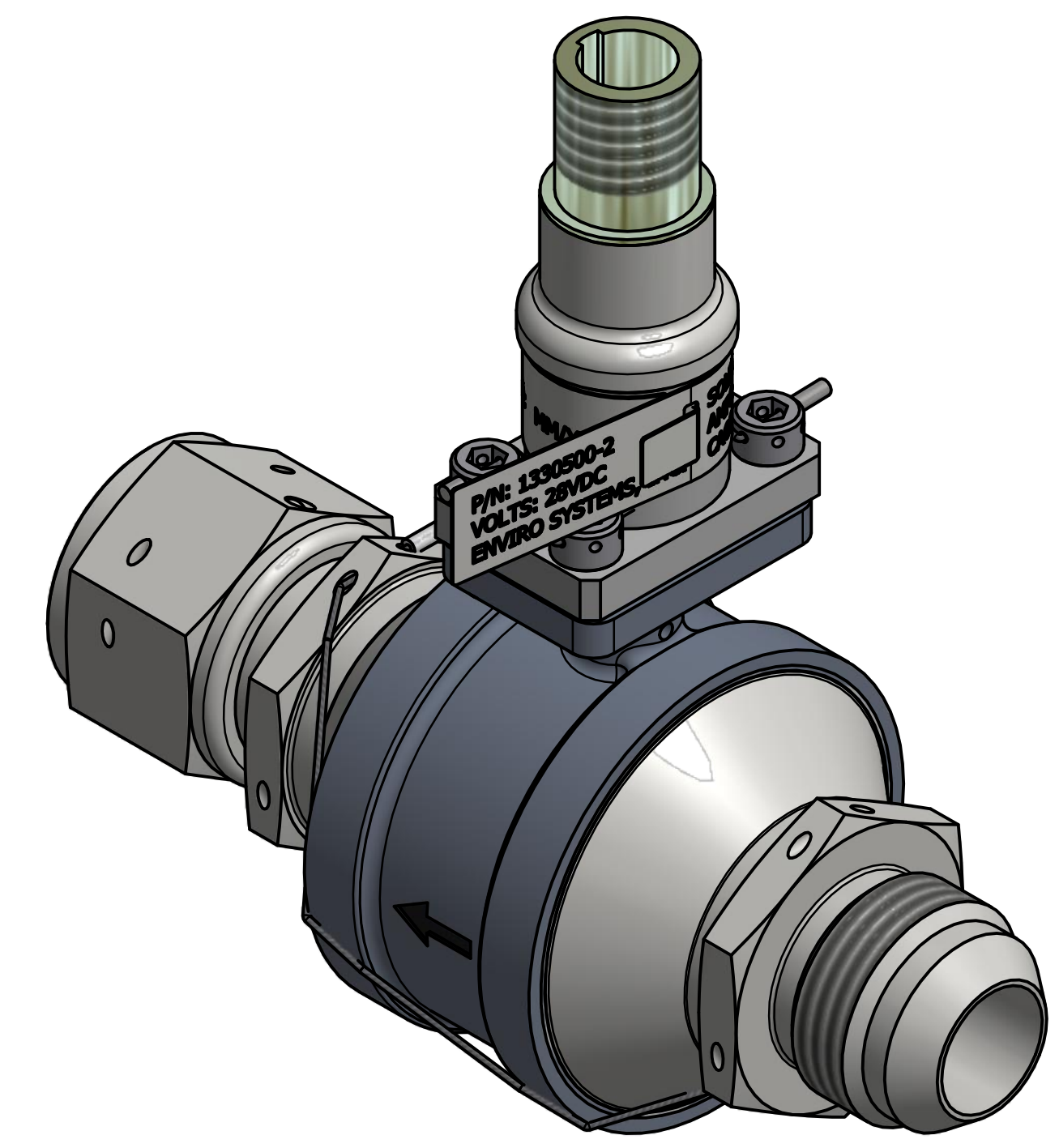
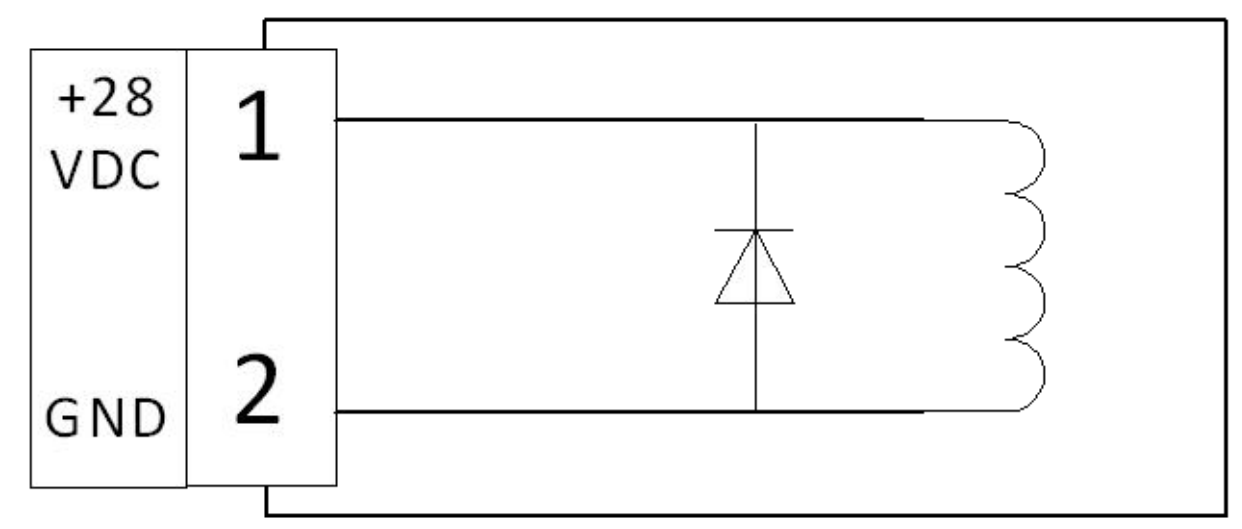


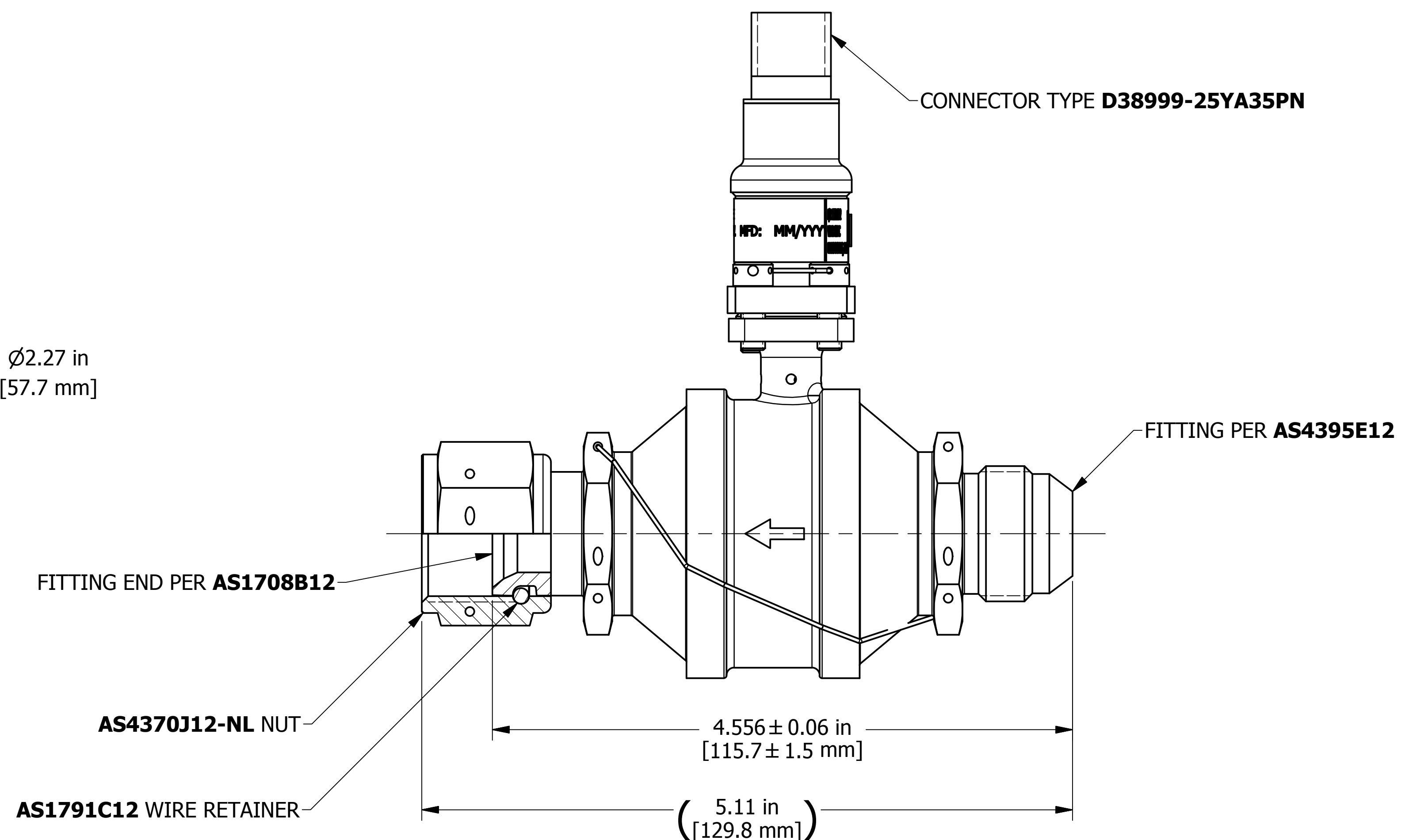
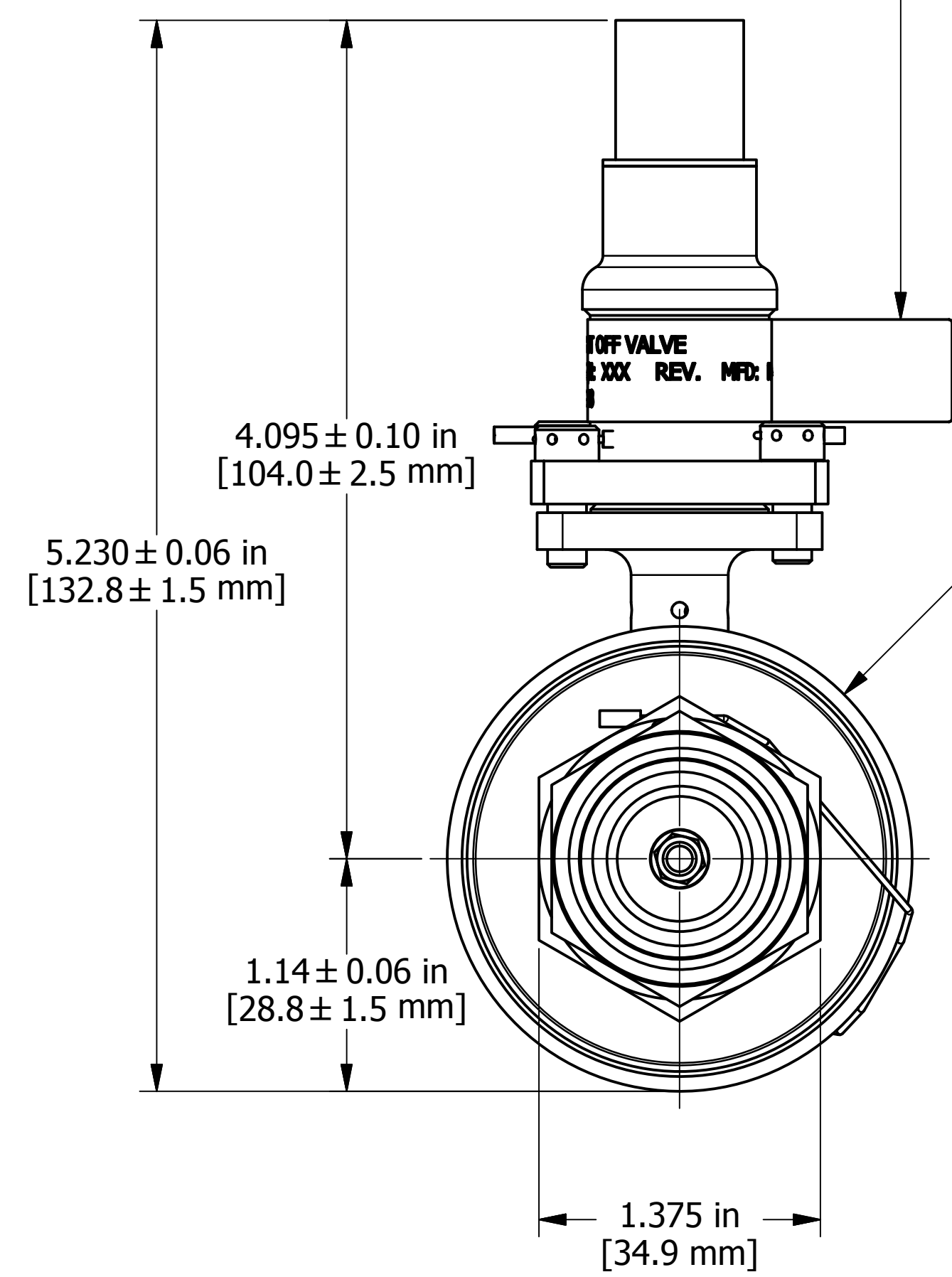
P/N: 1330500-2 SOLENOID SHUT OFF VALVE
 VOLTS: 28VDC AMPS: 1.0 S/N: XXX REV. MFD: MM/YYYY
 ENVIRO SYSTEMS, INC. CAGE NO. 0B9E8

WIRING DIAGRAM



ISOMETRIC VIEW
 FOR REFERENCE ONLY
 SCALE 3:2

NAME PLATE INFORMATION



SPECIFICATIONS	
FLUID	ENGINE BLEED AIR
FLUID TEMPERATURE	440°C MAX
MIN OPERATING PRESSURE	0.7 BAR
MAX OPERATING PRESSURE	15.41 BAR
PROOF PRESSURE	23.11 BAR MAX @ 350.5°C
BURST PRESSURE	46.23 BAR MAX @ 350.5°C
VOLTAGE	28 VDC
CURRENT	1 AMP MAX
OPENING TIME	5 SECONDS MAX
CLOSING TIME	5 SECONDS MAX
ALTITUDE	-1000 TO 20000 FT
WEIGHT	1.75 LBS (0.79 kg) MAX
AMBIENT TEMPERATURE RANGE	
OPERATING	-40°C to 150°C
SHORT TIME	-55°C to 180°C
STORAGE	-55°C to 85°C
LEAKAGE	
INTERNAL (CLOSED)	0.12 LB/MIN
EXTERNAL (CLOSED)	0.20 LB/MIN
EXTERNAL (OPEN)	0.20 LB/MIN

PROPRIETARY NOTICE
 THIS DRAWING IS A PART OF THE PROPRIETARY ARTICLE HEREIN DISCLOSED, AND ALL DESIGN, MANUFACTURING, REPRODUCTION, USE, PATENT RIGHTS AND SALES RIGHTS REGARDING THE SAME ARE EXPRESSLY RESERVED BY ENVIRO SYSTEMS, INC. IT IS SUBMITTED UNDER A CONFIDENTIAL RELATIONSHIP FOR A SPECIFIC PURPOSE AND SHALL NOT BE DISCLOSED TO ANY UNAUTHORIZED PERSON, COMPANY, OR INCORPORATED IN ANY OTHER PROJECTS.

ENVIRO SYSTEMS, INC.
 SEMINOLE, OKLAHOMA
SOLENOID SHUTOFF VALVE
 SIZE: D 0B9E8 CAGE CODE: 1330500-CAT DRAWING NO.: SCALE: 3:2 WEIGHT: SHEET 1 OF 1