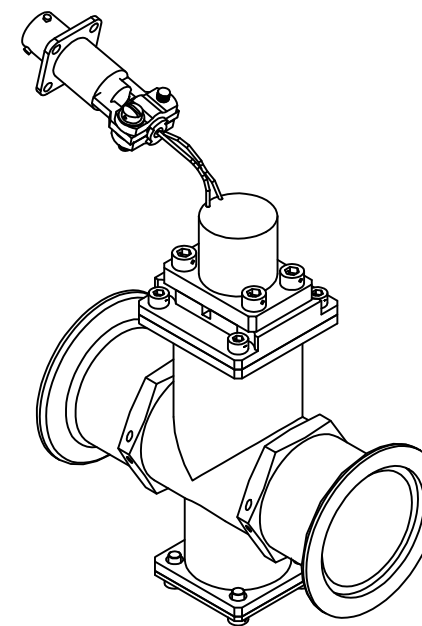
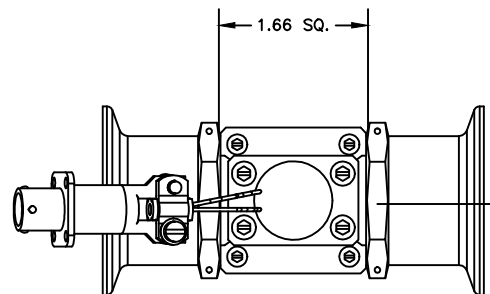
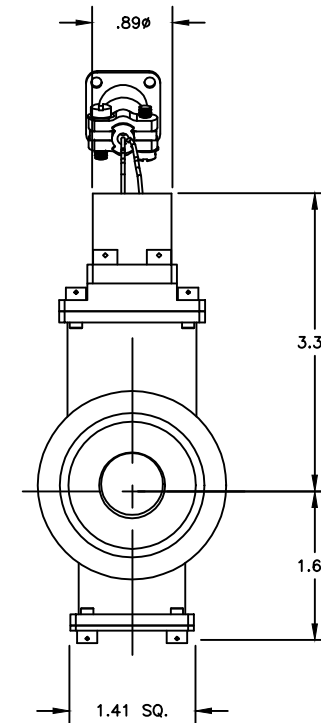
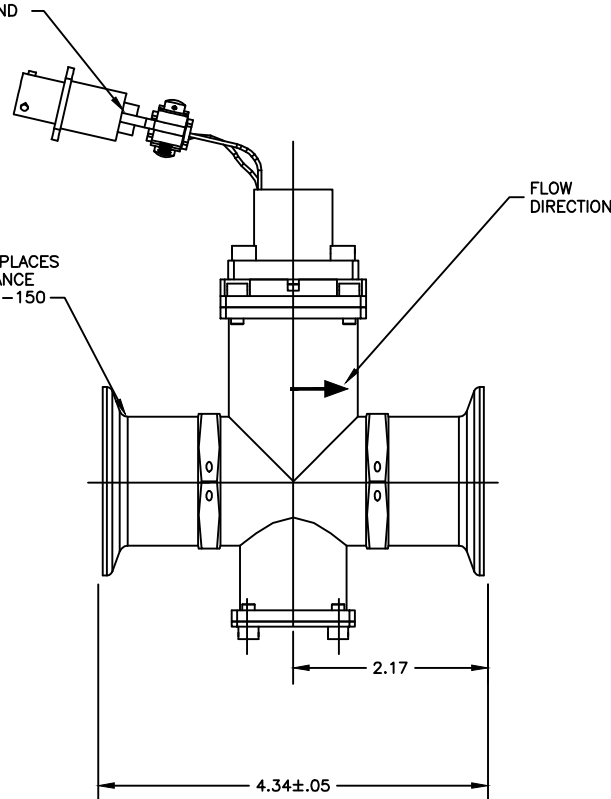


DESIGN SPECIFICATIONS

1. FLUID \_\_\_\_\_ ENGINE BLEED AIR
2. FLUID TEMP. \_\_\_\_\_ 800°F MAX.
3. RATED FLOW AREA – NON-ENERGIZED \_\_\_\_\_ .374 SQ. IN.  
ENERGIZED \_\_\_\_\_ .099 SQ. IN.
4. EXTERNAL LEAKAGE \_\_\_\_\_ 1.60 SCFM @ 100PSIG & 70°F
5. VOLTAGE \_\_\_\_\_ 20–31 VDC (NOM)
6. CURRENT \_\_\_\_\_ 1.0 AMP (MAX)
7. WEIGHT \_\_\_\_\_ 2.10 LBS. (MAX)
8. AMBIENT TEMP. \_\_\_\_\_ -65°F TO 250°F
9. OPERATING PRESS. \_\_\_\_\_ 15 TO 150 PSIG
10. PROOF PRESS. \_\_\_\_\_ 250 PSIG
11. BURST PRESS. \_\_\_\_\_ 375 PSIG



MS3110F8-3P CONNECTOR  
LEADS 16.0 IN. LONG (MIN.)  
PIN A +28VDC  
PIN B GROUND



**PROPRIETARY NOTICE**  
THIS DRAWING IS A PART OF THE PROPRIETARY ARTICLE HEREIN DISCLOSED, AND ALL DESIGN, MANUFACTURING, REPRODUCTION, USE, PATENT RIGHTS AND SALES RIGHTS REGARDING THE SAME ARE EXPRESSLY RESERVED BY ENVIRO SYSTEMS, INC. IT IS SUBMITTED UNDER A CONFIDENTIAL RELATIONSHIP FOR A SPECIFIC PURPOSE AND SHALL NOT BE DISCLOSED TO ANY UNAUTHORIZED PERSON, COMPANY, OR INCORPORATED IN ANY OTHER PROJECTS.

ENVIRO SYSTEMS, INC. SEMINOLE, OKLAHOMA	
TITLE VALVE, TWO STAGE CONTROL	
SIZE D	CAGE CODE 0B9E8
DRAWING NO. 1330160-CAT	REV.
SCALE:	WEIGHT: SHEET 1 OF 1