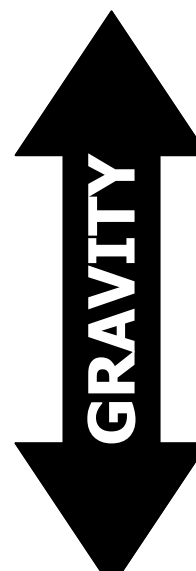
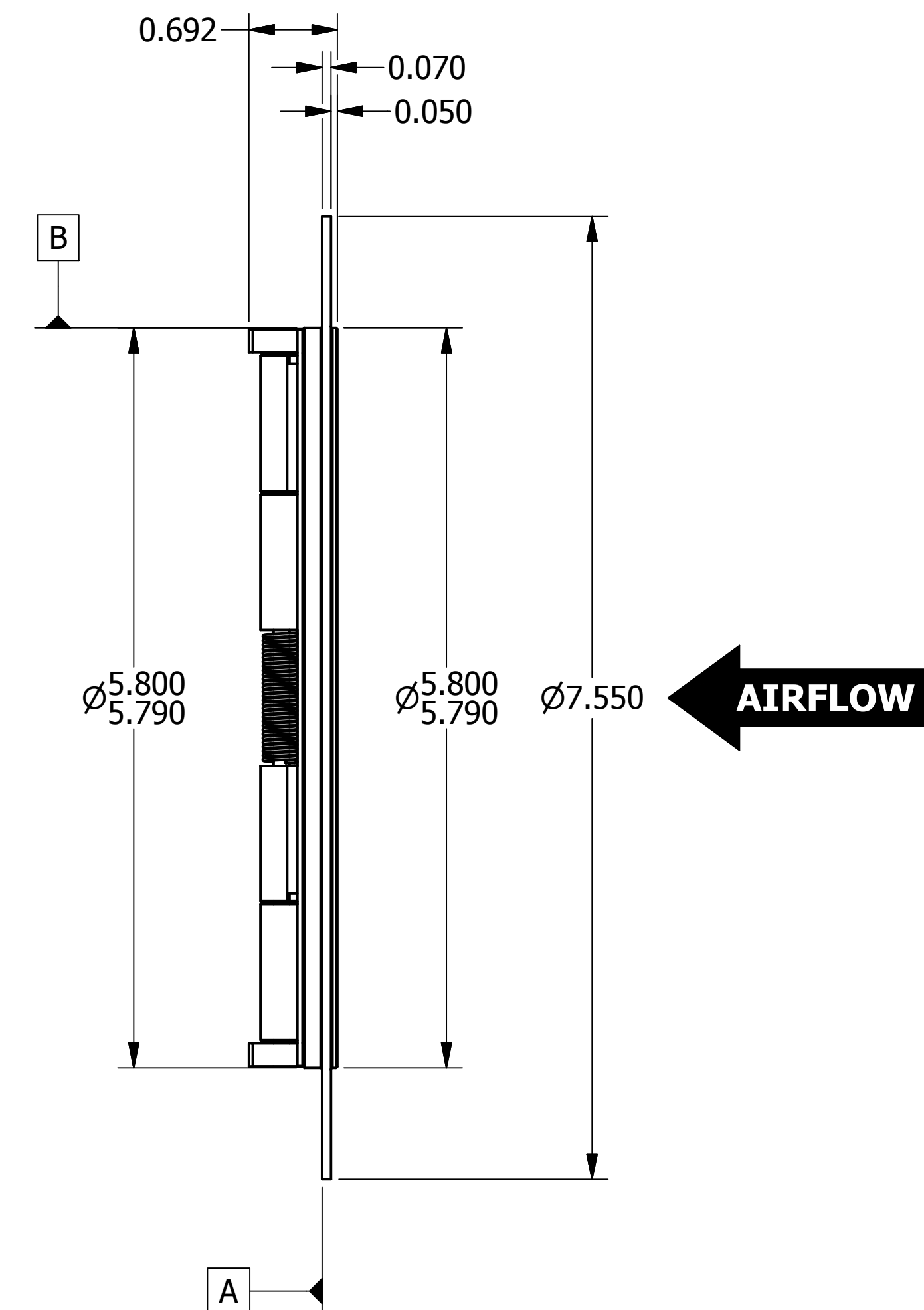
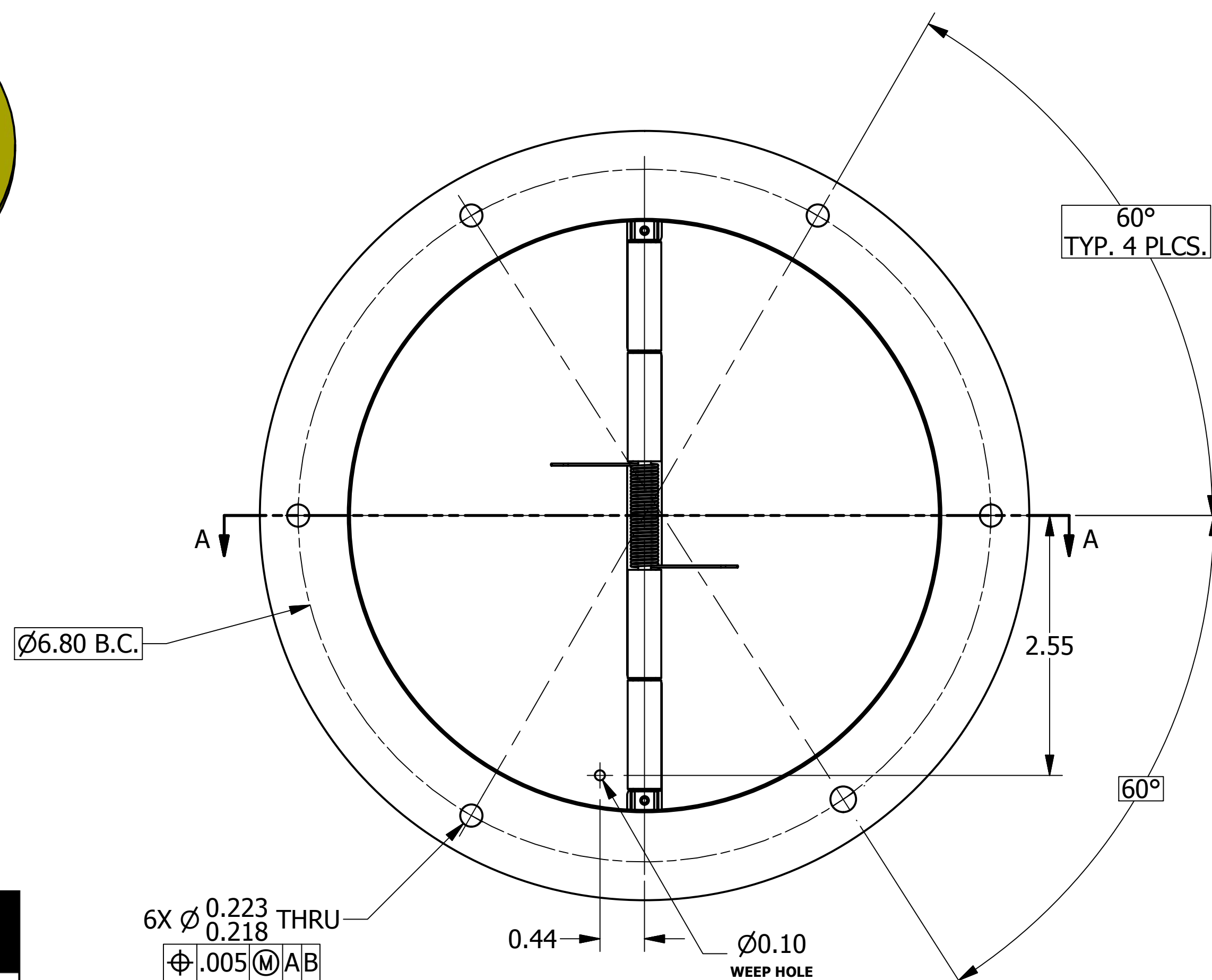
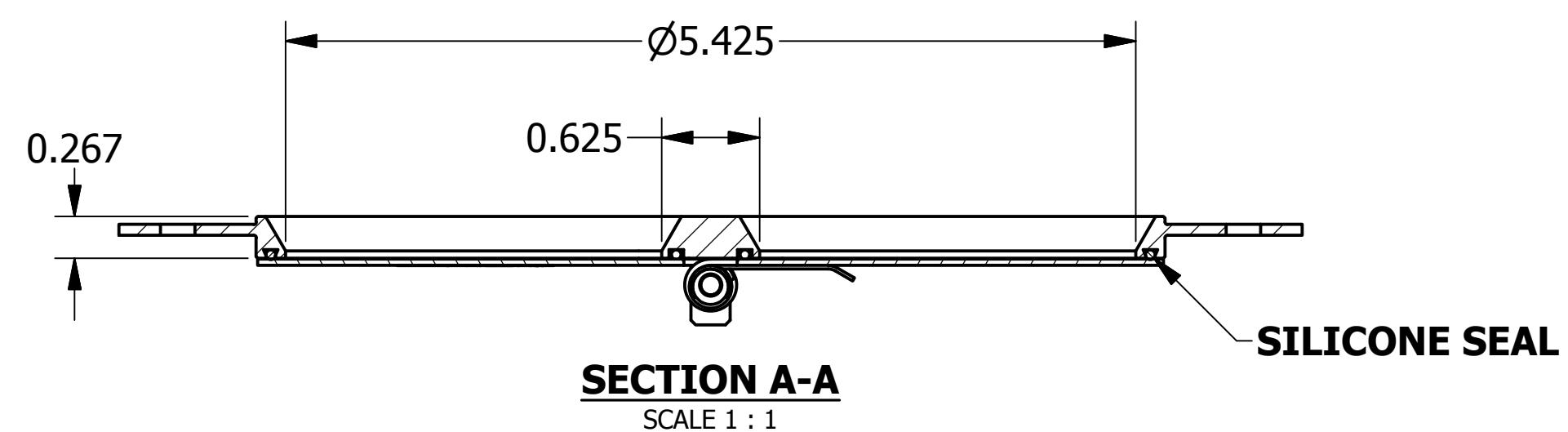


ISOMETRIC VIEW
SCALE 1 : 1



DESIGN SPECIFICATIONS	
OPERATING PRESSURE	6.0" W.G.
PROOF PRESSURE	9.0" W.G.
BURST PRESSURE	18.0" W.G.
LEAKAGE	3.0 CFM @ 6.0" W.G.
OPERATING TEMPERATURE	-65°F TO 165°F
WEIGHT	0.40 LBS MAX.

PROPRIETARY NOTICE
THIS DRAWING IS A PART OF THE PROPRIETARY ARTICLE HEREIN DISCLOSED, AND ALL DESIGN, MANUFACTURING, REPRODUCTION, USE, PATENT RIGHTS AND SALES RIGHTS REGARDING THE SAME ARE EXPRESSLY RESERVED BY ENVIRO SYSTEMS, INC. IT IS SUBMITTED UNDER A CONFIDENTIAL RELATIONSHIP FOR A SPECIFIC PURPOSE AND SHALL NOT BE DISCLOSED TO ANY UNAUTHORIZED PERSON, COMPANY, OR INCORPORATED IN ANY OTHER PROJECTS.

ENVIRO SYSTEMS, INC.
SEMINOLE, OKLAHOMA

CHECK VALVE, 6" RAM AIR

SIZE: D 0B9E8	CAGE CODE: 1310420-CAT	DRAWING NO.:	REV.:
SCALE: 1 : 1	WEIGHT: 0.4 LBS MAX	SHEET 1 OF 1	