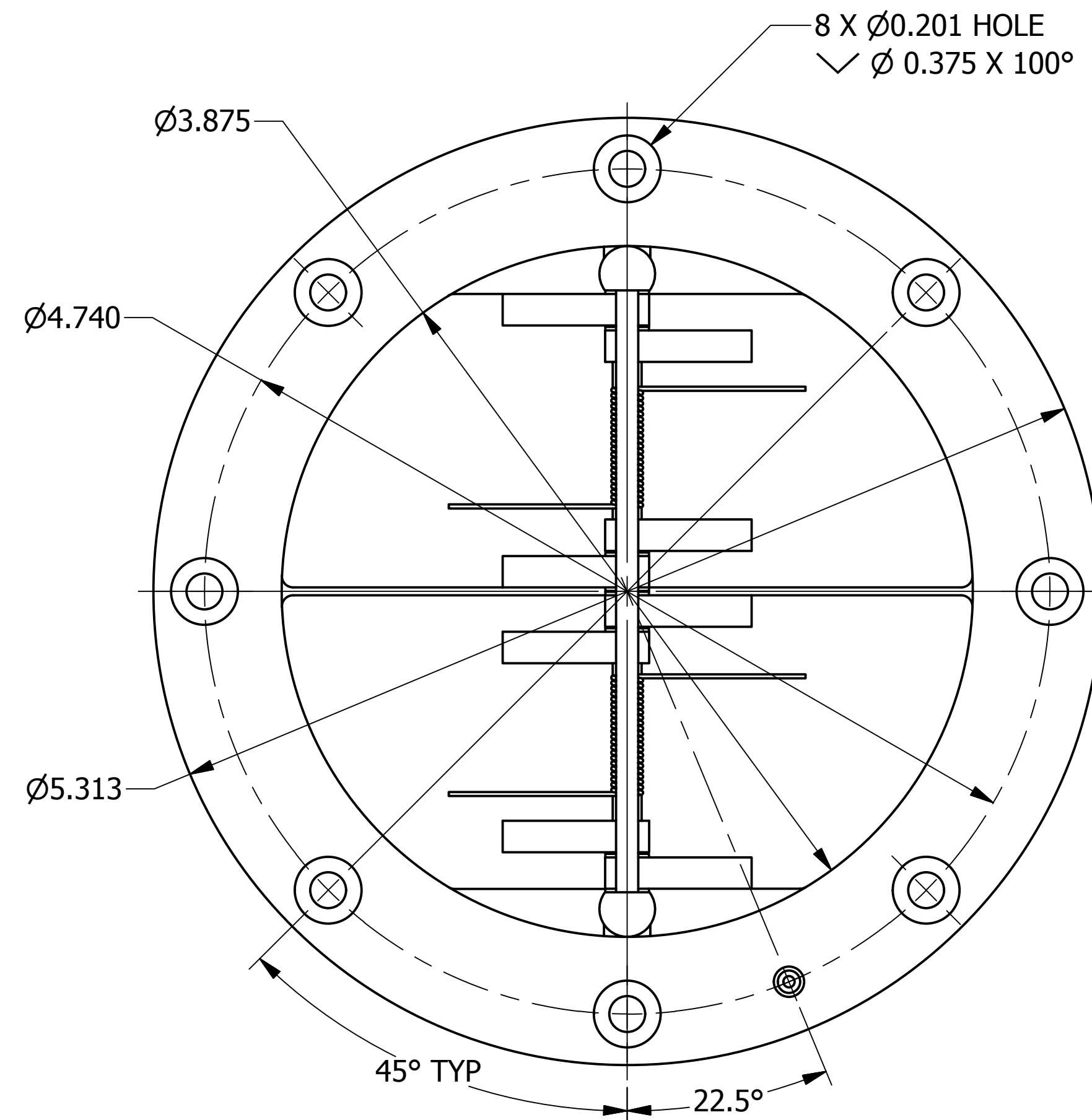
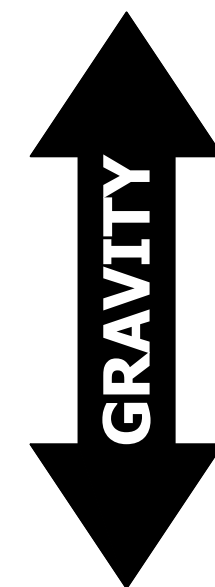
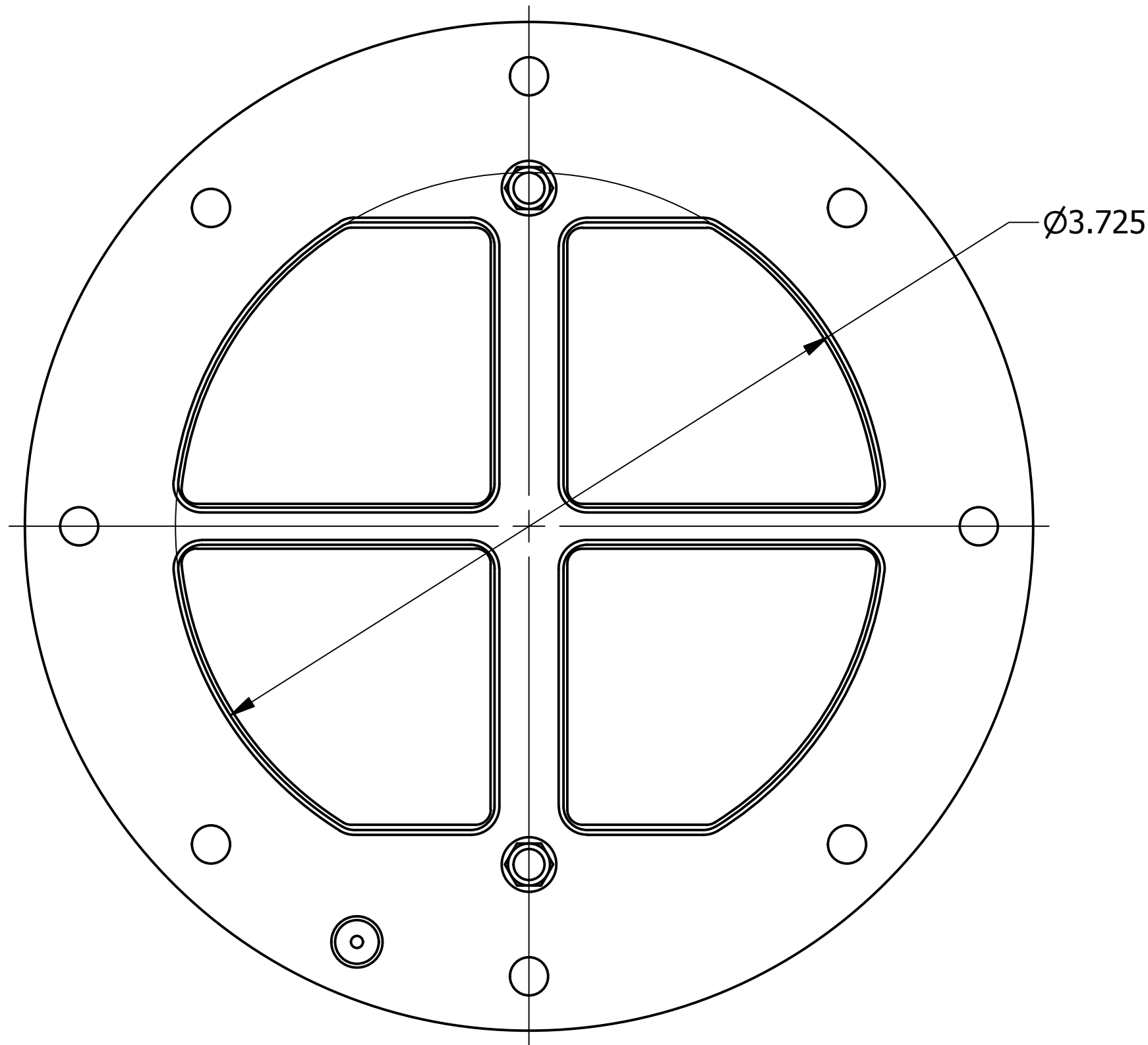
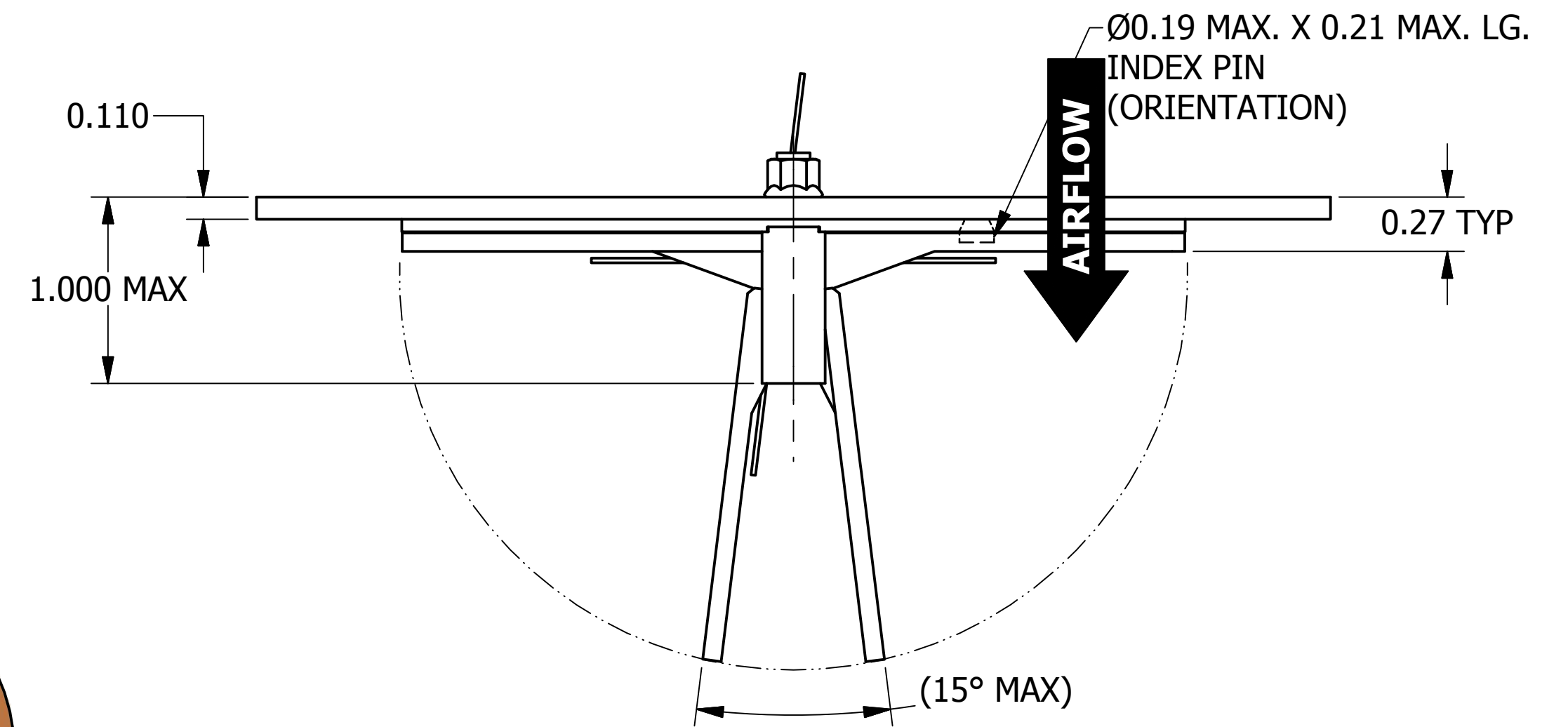
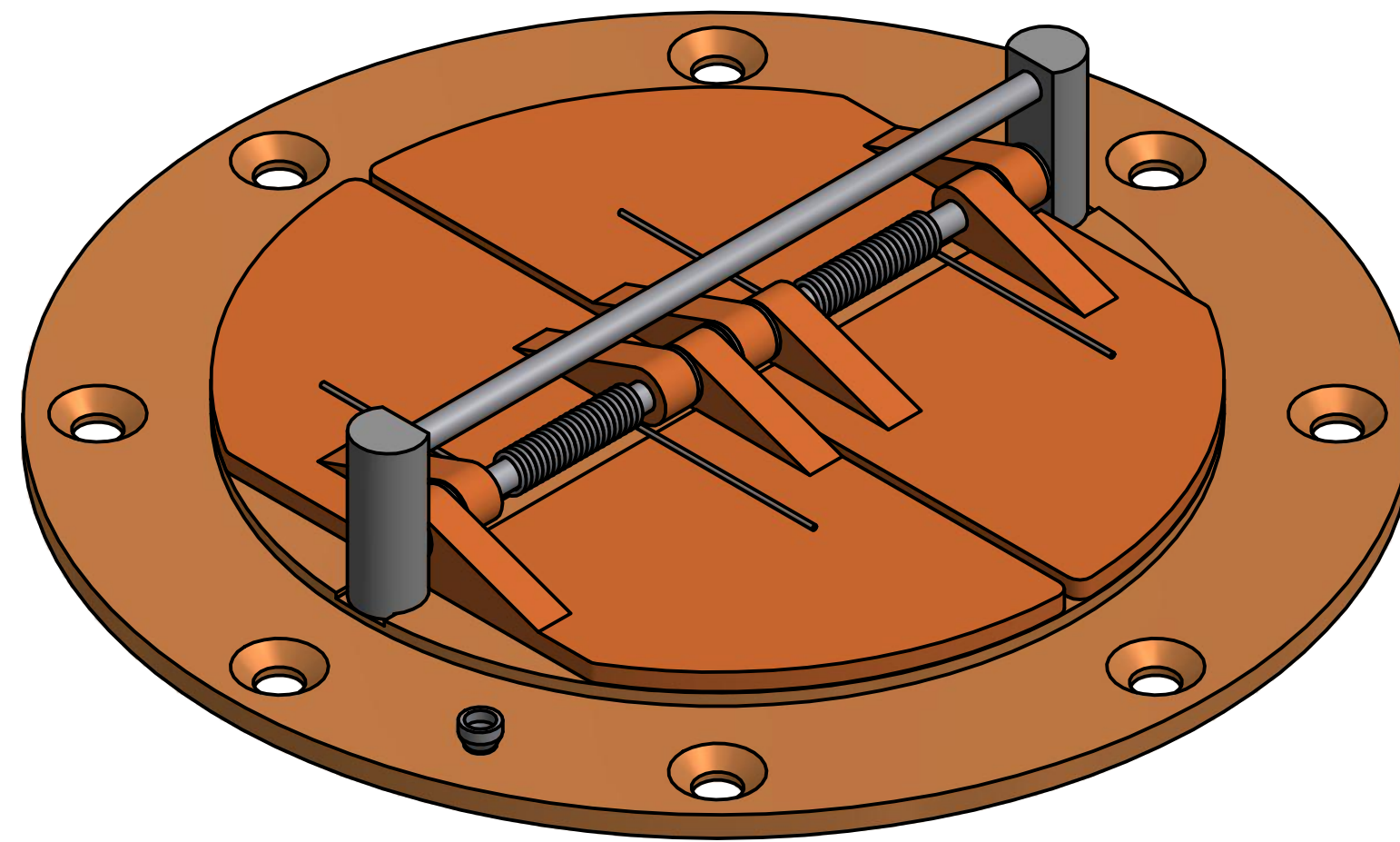


DESIGN SPECIFICATIONS	
FLUID	ECS BLEED AIR
FLUID TEMP	(-)67F TO 300F
OPERATING PRESSURE	8 TO 16 PSIA
PROOF PRESSURE	22.5 PSIG @ 300F
BURST PRESSURE	30.0 PSIG @ 300F
LEAKAGE	0.15 LB/MIN @ 15 PSIG & 300F
CRACKING PRESSURE	0.25 PSIG MAX.
RATED AIRFLOW	
1310210-400	20 LB/MIN
PRESSURE DROP	5.0 IN H2O @ RATED FLOW



PROPRIETARY NOTICE
THIS DRAWING IS A PART OF THE PROPRIETARY ARTICLE HEREIN DISCLOSED, AND ALL DESIGN, MANUFACTURING, REPRODUCTION, USE, PATENT RIGHTS AND SALES RIGHTS REGARDING THE SAME ARE EXPRESSLY RESERVED BY ENVIRO SYSTEMS, INC. IT IS SUBMITTED UNDER A CONFIDENTIAL RELATIONSHIP FOR A SPECIFIC PURPOSE AND SHALL NOT BE DISCLOSED TO ANY UNAUTHORIZED PERSON, COMPANY, OR INCORPORATED IN ANY OTHER PROJECTS.

ENVIRO SYSTEMS, INC.
SEMINOLE, OKLAHOMA
VALVE, CHECK, ECS (4 PETAL FLAPPER)
TITLE
SIZE: D 0B9E8 CAGE CODE: 1310210-CAT DRAWING NO.:
SCALE: 1.5:1 WEIGHT: SHEET 1 OF 1