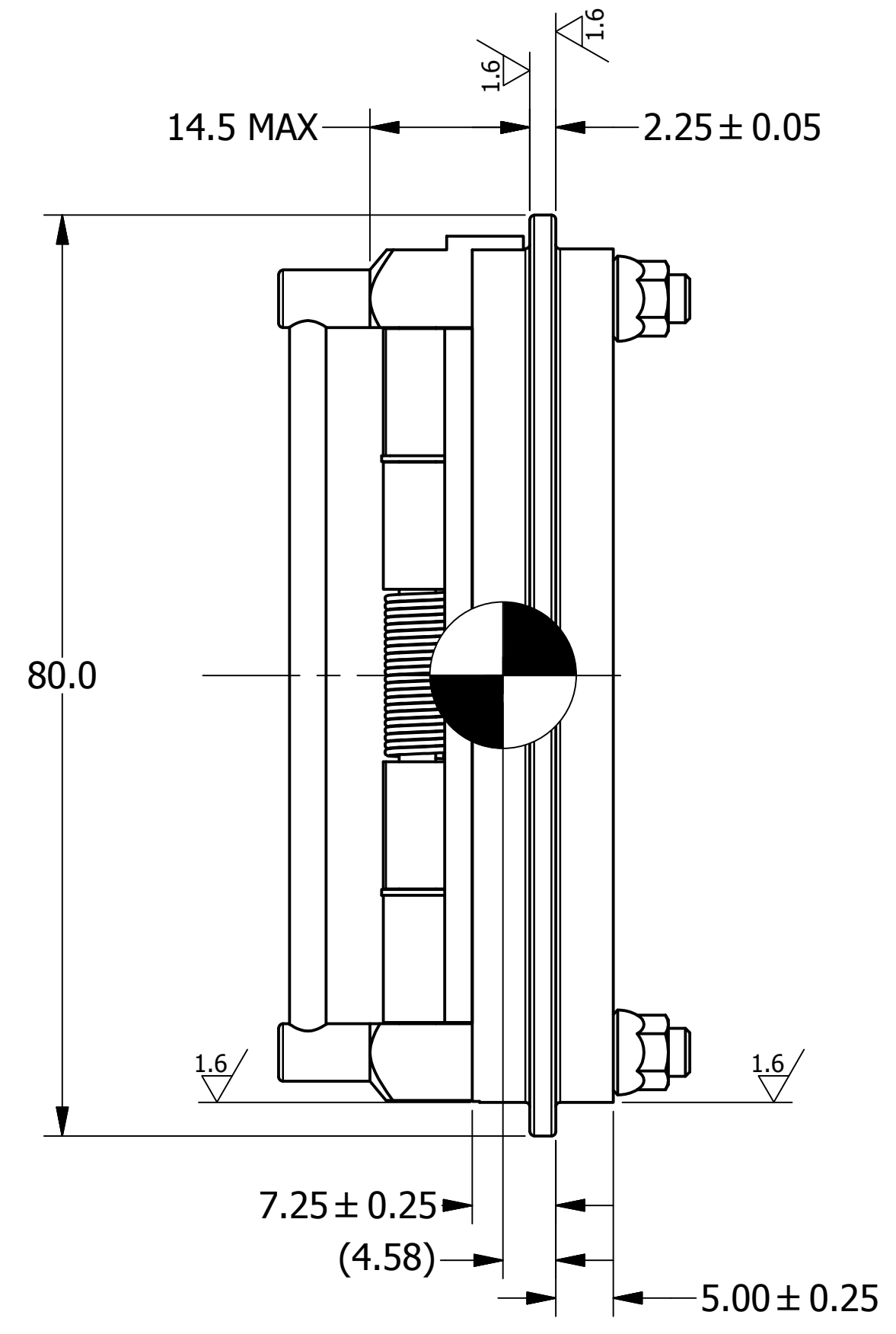
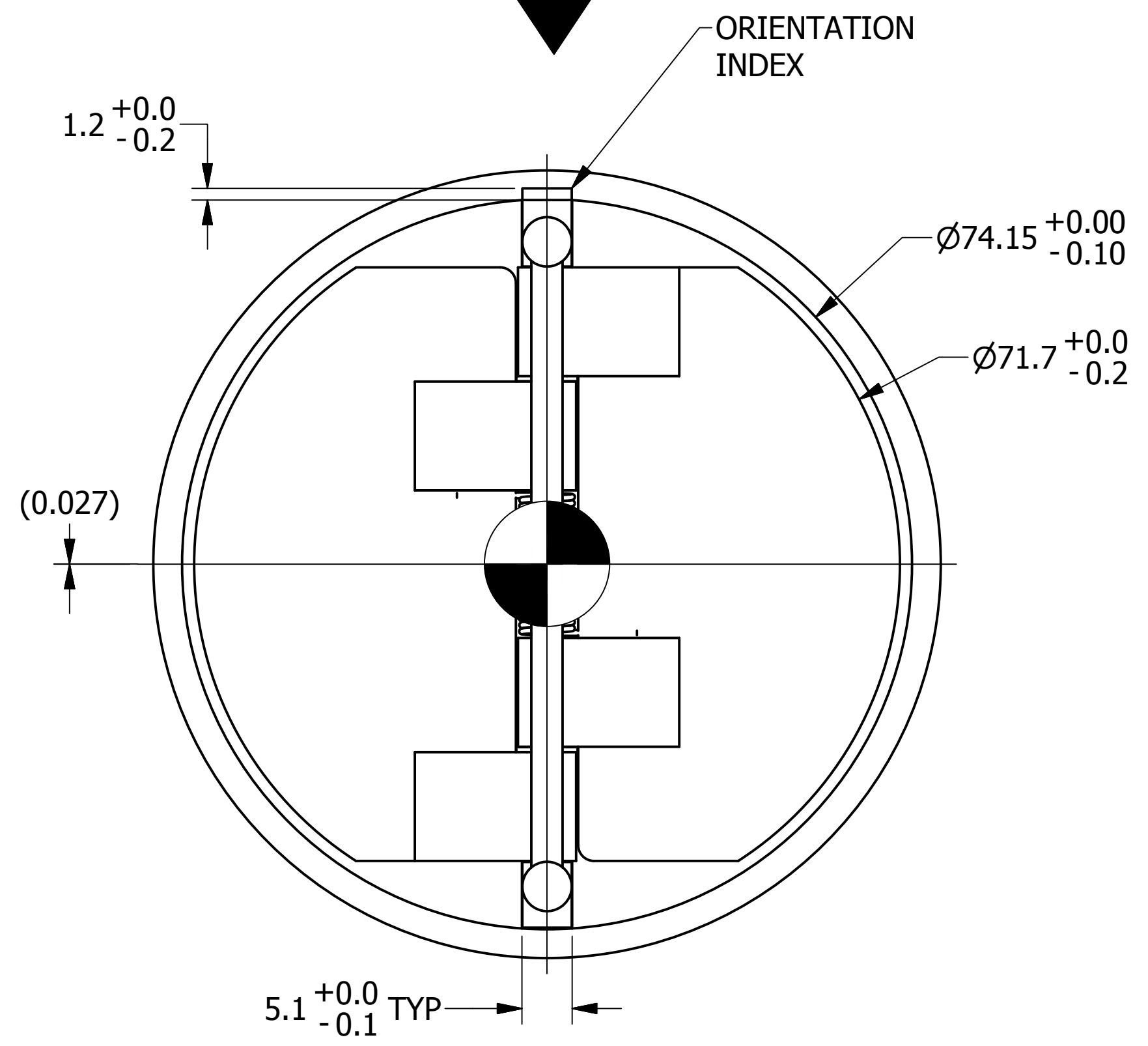
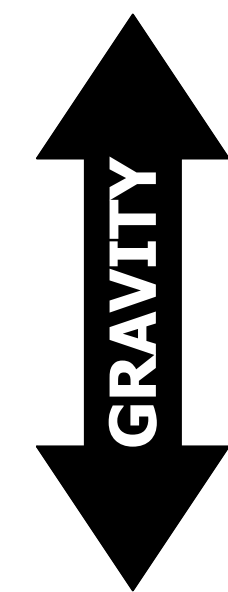


PERFORMANCE SPECIFICATIONS							
NOM. TUBE SIZE	RATED FLOW	OPERATING PRESSURE	OPERATING TEMPERATURE	LEAK RATE @ 4.8 Bar & 20 C	PROOF PRESSURE	BURST PRESSURE	MTBF (FLT HR)
2.50 IN.	35Kg/min	3.5 bar	280C (536F)	0.75 g/s (0.10 lb/min)	9.75bar (141psig)	19.5 bar (283psig)	50000



PROPRIETARY NOTICE
 THIS DRAWING IS A PART OF THE PROPRIETARY ARTICLE HEREIN DISCLOSED, AND ALL DESIGN, MANUFACTURING, REPRODUCTION, USE, PATENT RIGHTS AND SALES RIGHTS REGARDING THE SAME ARE EXPRESSLY RESERVED BY ENVIRO SYSTEMS, INC. IT IS SUBMITTED UNDER A CONFIDENTIAL RELATIONSHIP FOR A SPECIFIC PURPOSE AND SHALL NOT BE DISCLOSED TO ANY UNAUTHORIZED PERSON, COMPANY, OR INCORPORATED IN ANY OTHER PROJECTS.

ENVIRO SYSTEMS, INC.
 SEMINOLE, OKLAHOMA

VALVE, CHECK - BLEED AIR

SIZE	CAGE CODE	DRAWING NO.	REV.
D 0B9E8		1310200-CAT	
SCALE: 2 : 1	WEIGHT: NOTED	SHEET 1 OF 1	