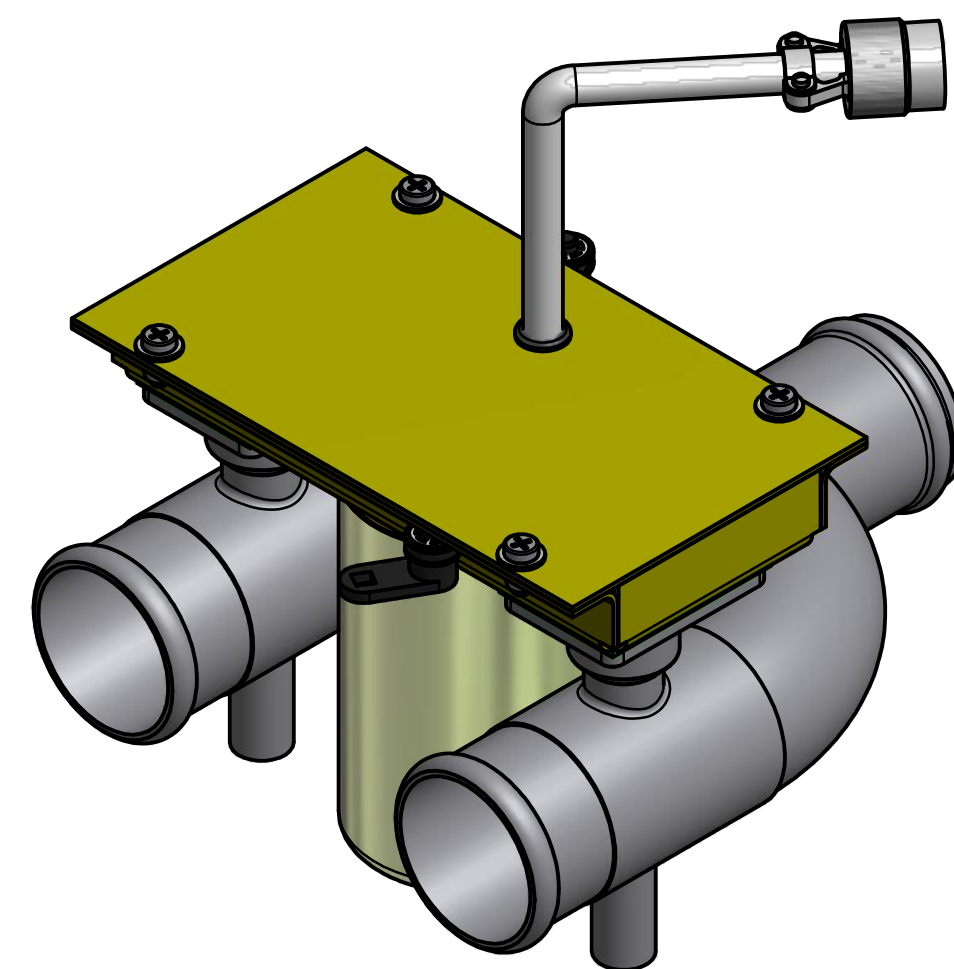
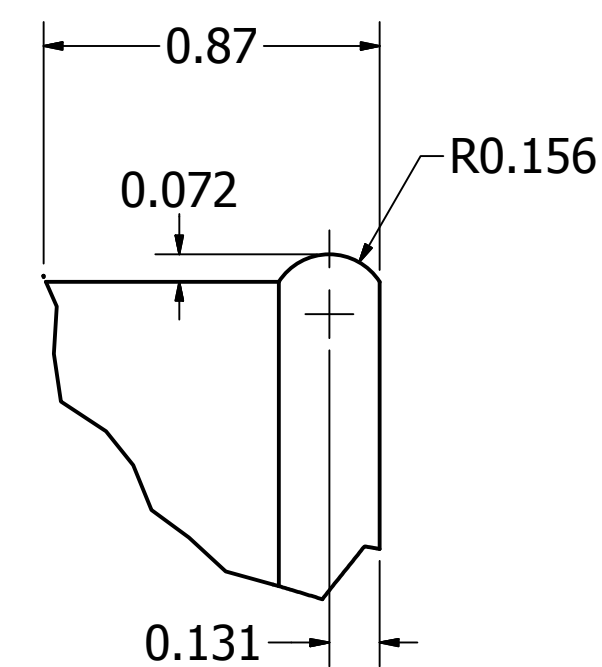
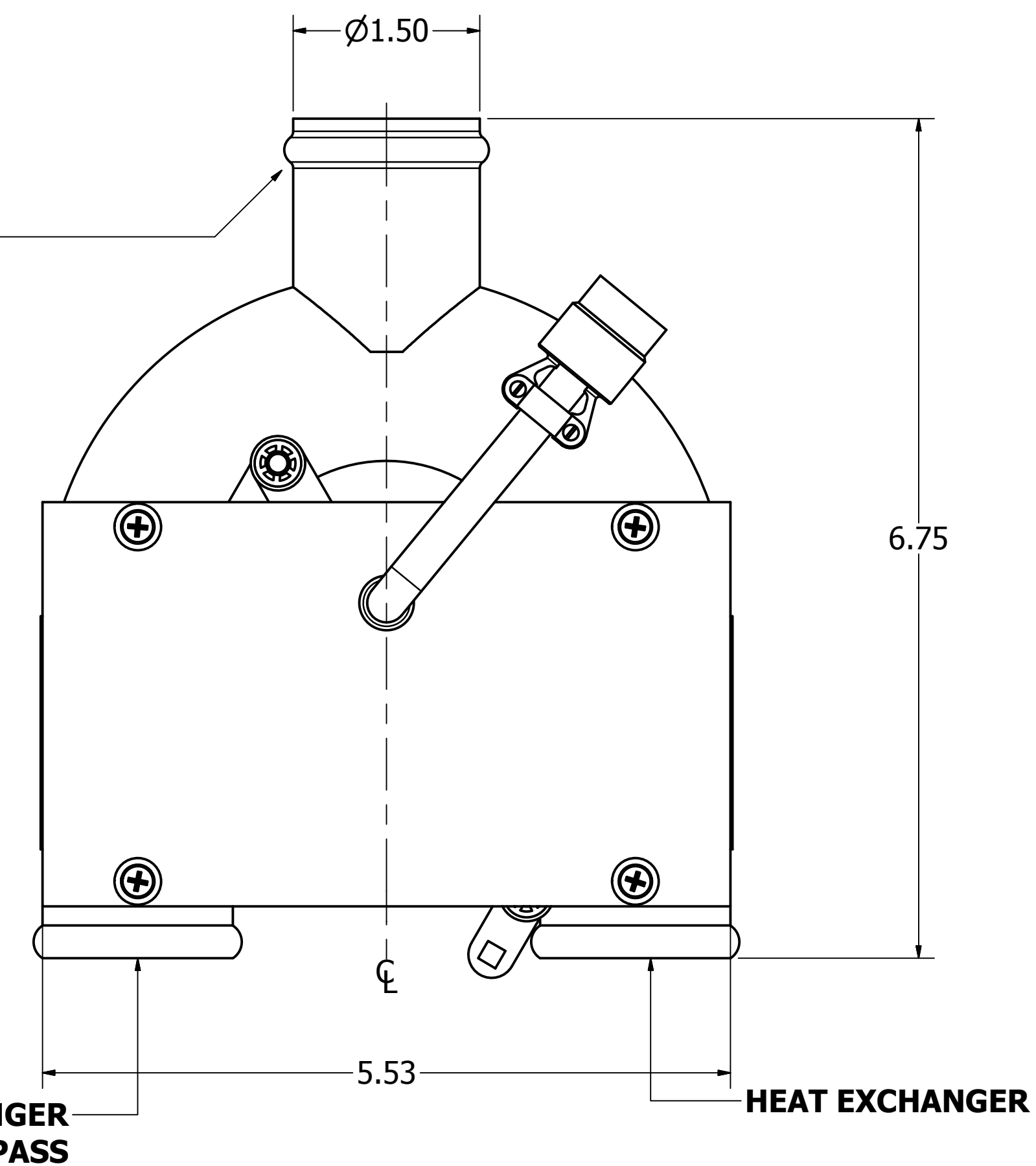


**DESIGN SPECIFICATIONS**

- 1. FLUID TYPE \_\_\_\_\_ BLEED AIR
- 2. FLUID TEMP \_\_\_\_\_ 700° MAX
- 3. FLUID PRESSURE \_\_\_\_\_ 25 PSIA MAX
- 4. FLUID FLOW \_\_\_\_\_ 0-8 LB/MIN
- 5. AMBIENT AIR PRESSURE \_\_\_\_\_ -1K TO 45,000 FT
- 6. AMBIENT AIR TEMP \_\_\_\_\_ -40 TO 158° F
- 7. WEIGHT \_\_\_\_\_ 2.50 LBS MAX
- 8. VOLTAGE \_\_\_\_\_ 24-32 VDC
- 9. CURRENT \_\_\_\_\_ 300 mA MAX



BEAD PER MS33660-24  
TYPE A



OUTLET DETAIL VIEW A  
SCALE 2 : 1

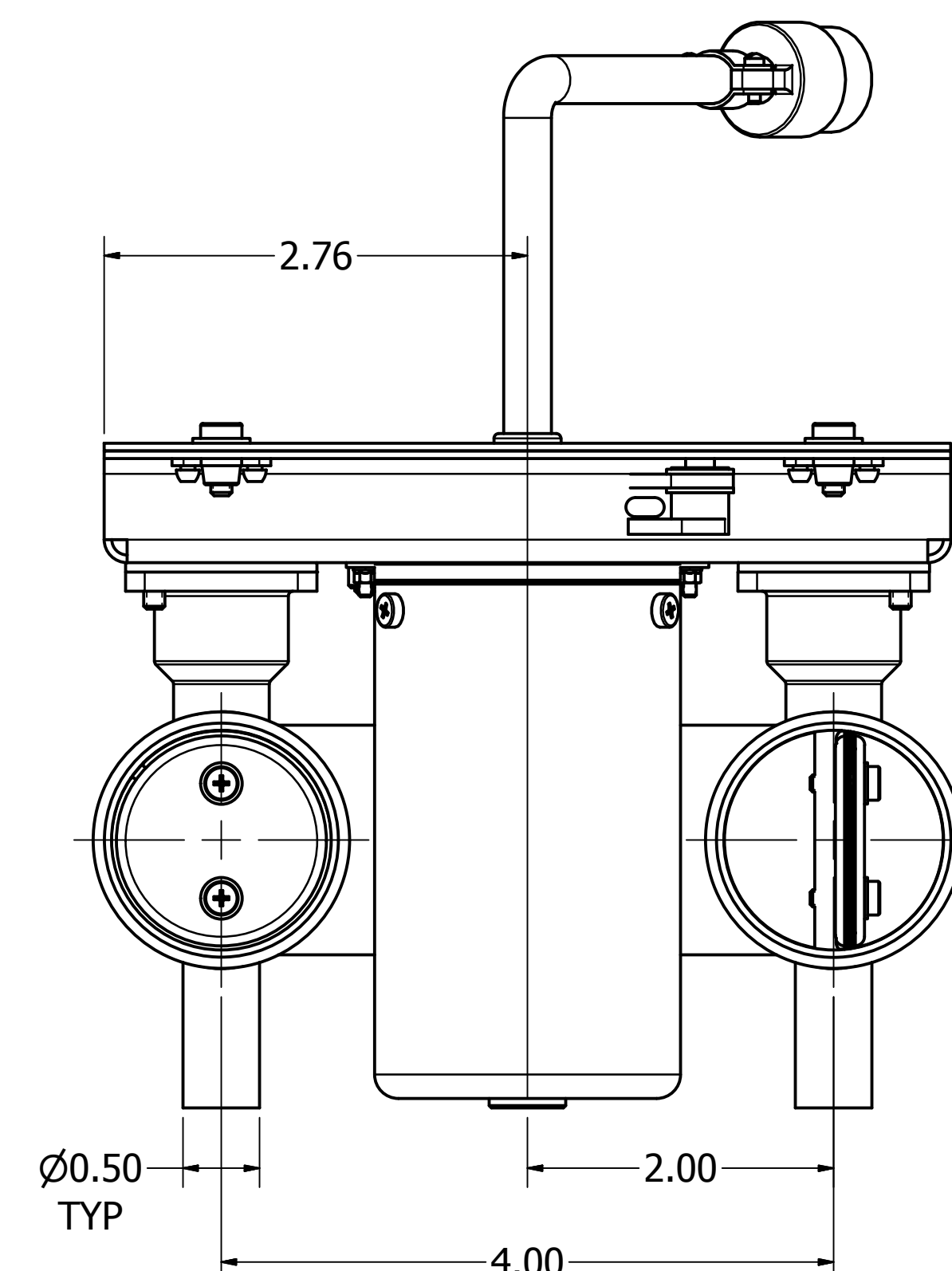
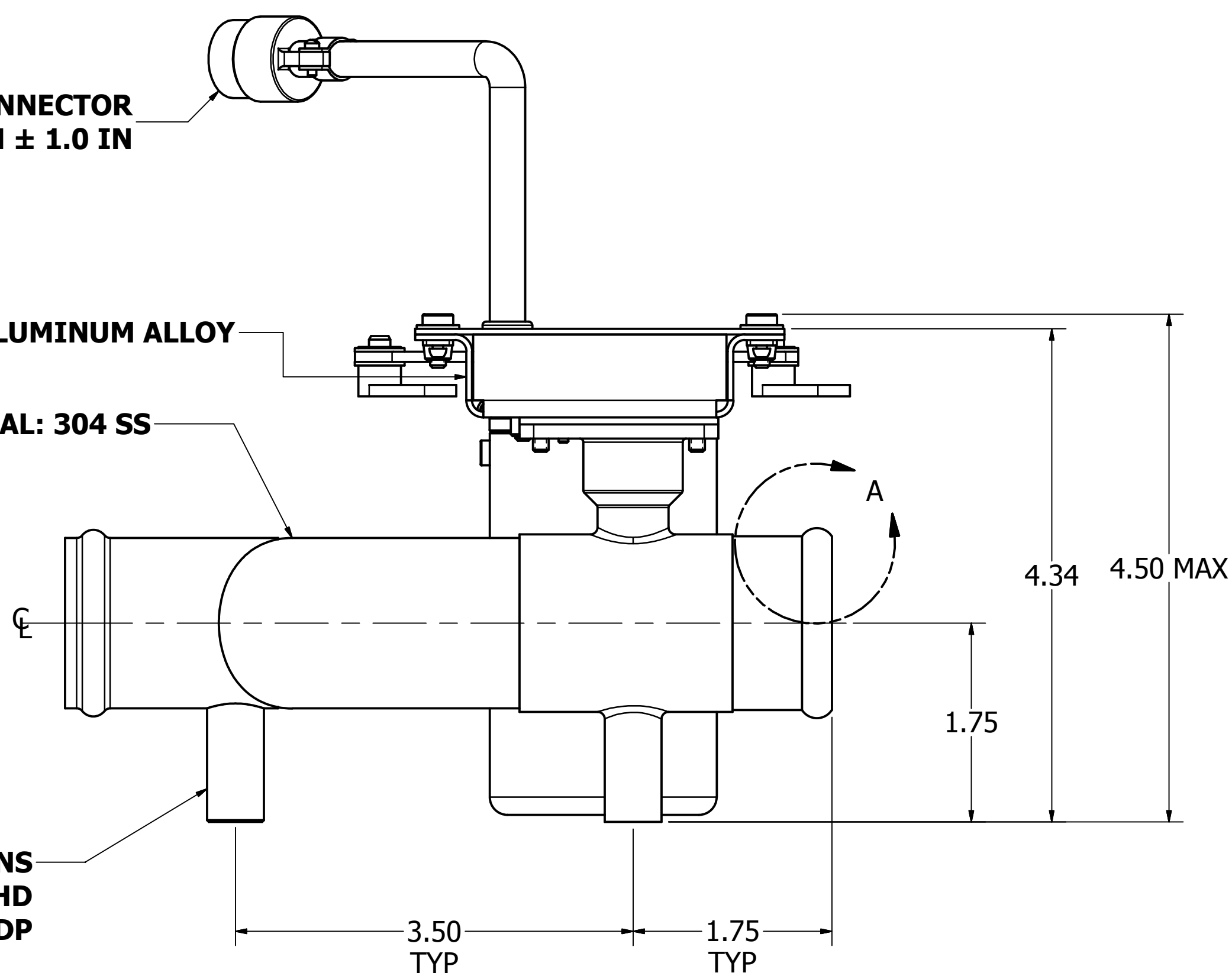
MS3110F8-4P ELECTRICAL CONNECTOR  
LEGNTH: 6.0 IN ± 1.0 IN

MATERIAL: ALUMINUM ALLOY

MATERIAL: 304 SS



MOUNT LOCATIONS  
3 X 10-32 UNF-2B THD  
.37 DP



**PROPRIETARY NOTICE**  
THIS DRAWING IS A PART OF THE PROPRIETARY ARTICLE  
HEREIN DISCLOSED, AND ALL DESIGN, MANUFACTURING,  
REPRODUCTION, USE, PATENT RIGHTS AND SALES RIGHTS  
REGARDING THE SAME ARE EXPRESSLY RESERVED BY  
ENVIRO SYSTEMS, INC. IT IS SUBMITTED UNDER A  
CONFIDENTIAL RELATIONSHIP FOR A SPECIFIC PURPOSE  
AND SHALL NOT BE DISCLOSED TO ANY UNAUTHORIZED  
PERSON, COMPANY, OR INCORPORATED IN ANY OTHER  
PROJECTS.

**ENVIRO SYSTEMS, INC.**  
SEMINOLE, OKLAHOMA

**VALVE, TEMP  
MODULATING**

SIZE	CAGE CODE	DRAWING NO.	REV.
D 0B9E8		1300330-CAT	
SCALE:	1:1	WEIGHT: NOTED	SHEET 1 OF 1