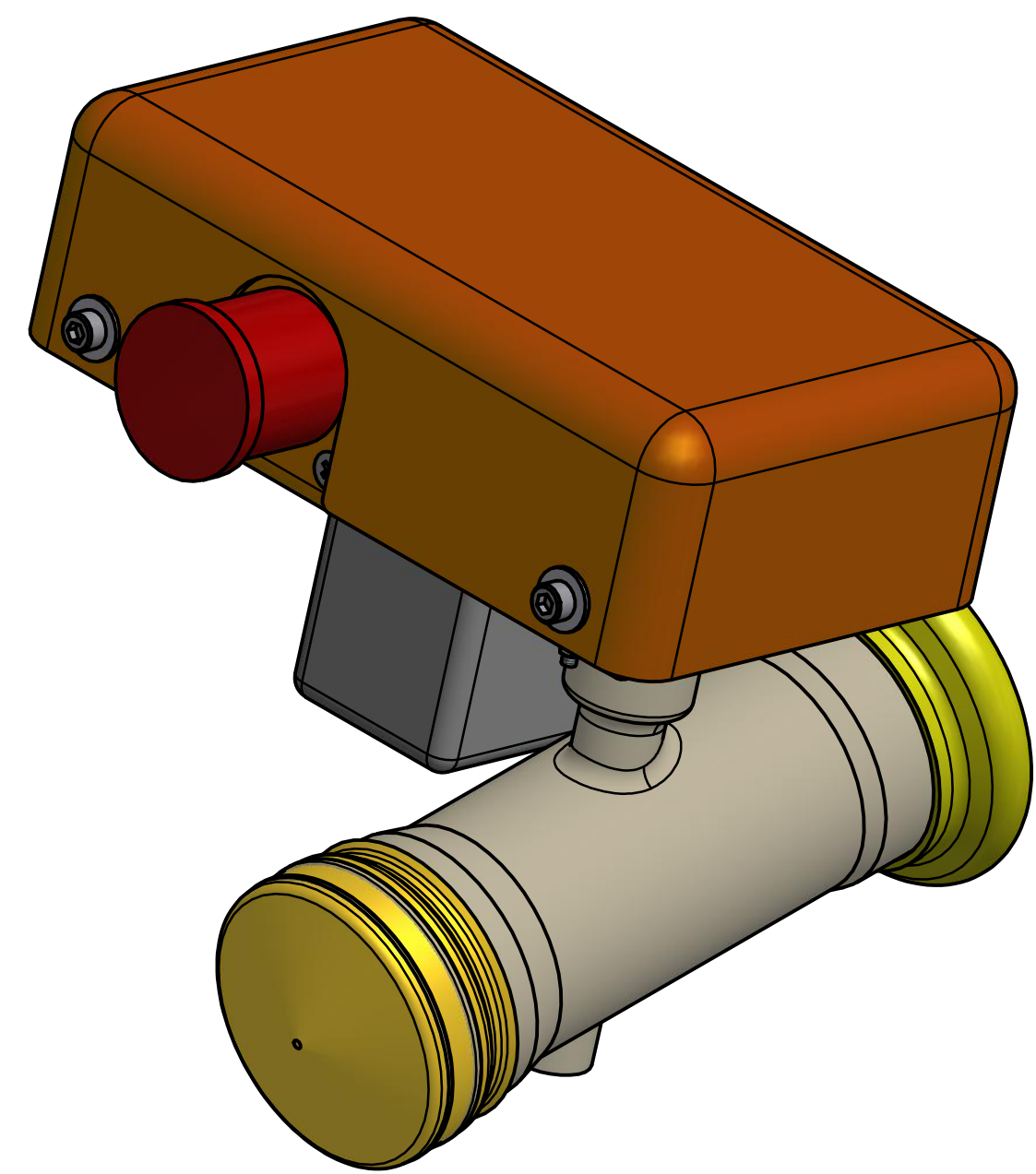
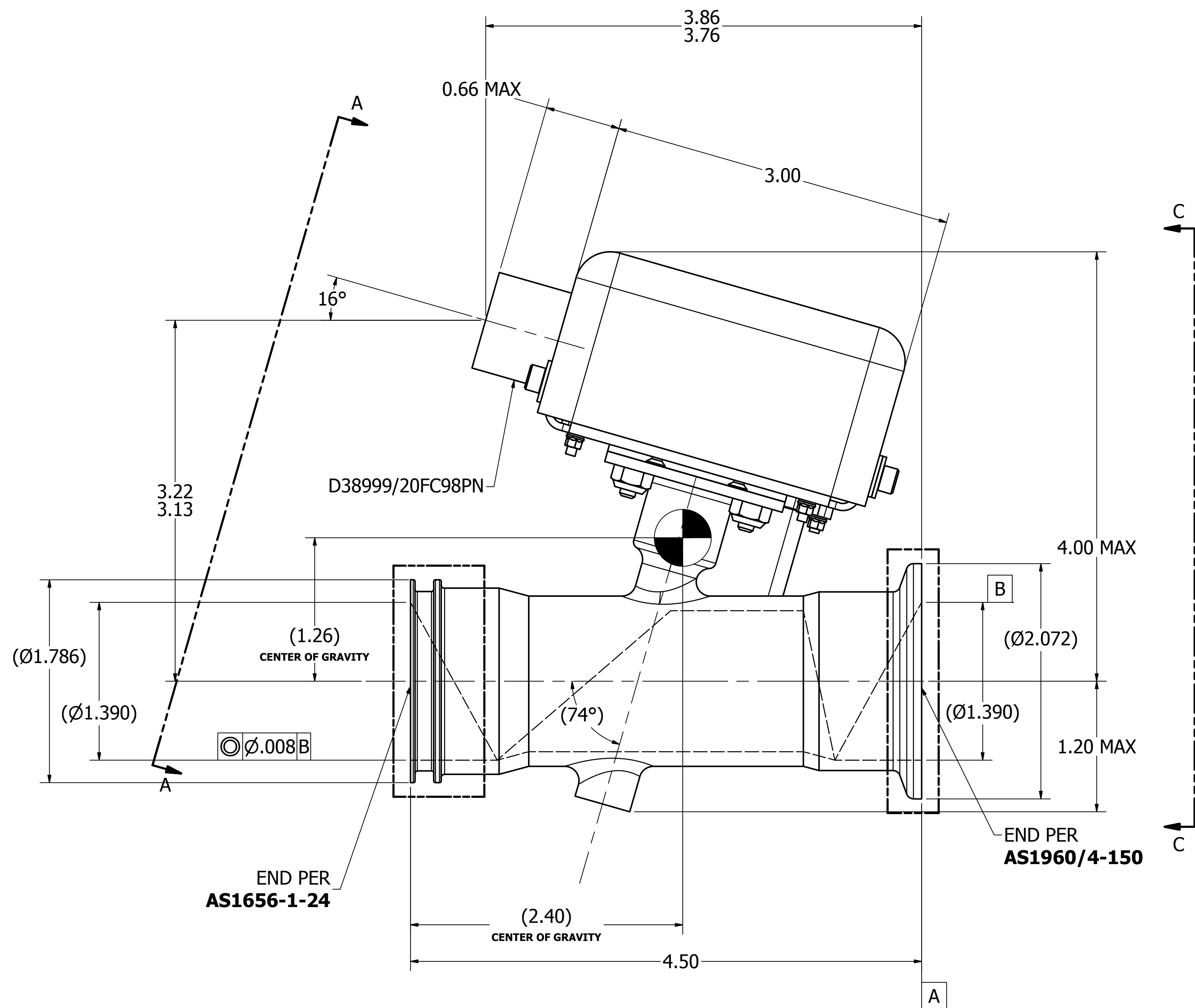


**VIEW A-A**  
(ROTATED 16° CCW)

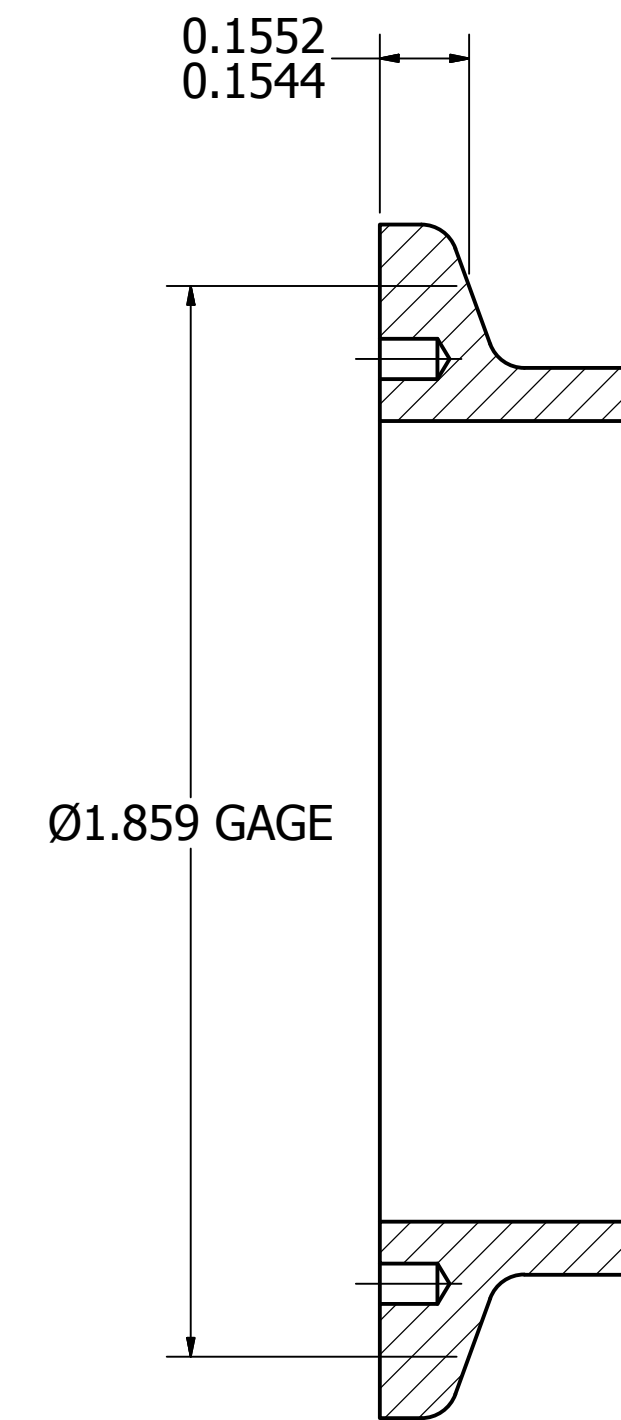
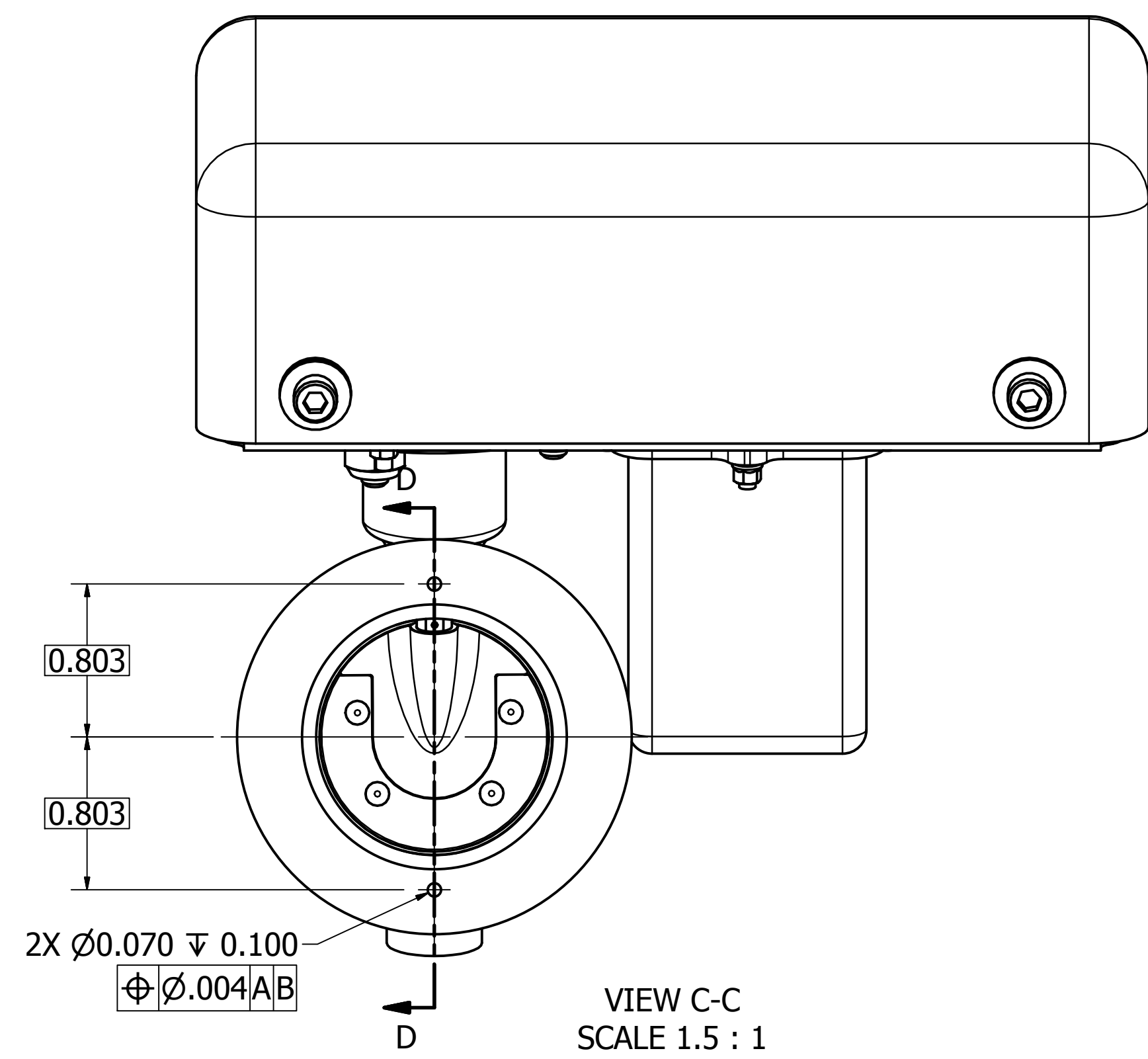


**ISOMETRIC VIEW**  
FOR REFERENCE ONLY



**PROPRIETARY NOTICE**  
THIS DRAWING IS A PART OF THE PROPRIETARY ARTICLE HEREIN DISCLOSED, AND ALL DESIGN, MANUFACTURING, REPRODUCTION, USE, PATENT RIGHTS AND SALES RIGHTS REGARDING THE SAME ARE EXPRESSLY RESERVED BY ENVIRO SYSTEMS, INC. IT IS SUBMITTED UNDER A CONFIDENTIAL RELATIONSHIP FOR A SPECIFIC PURPOSE AND SHALL NOT BE DISCLOSED TO ANY UNAUTHORIZED PERSON, COMPANY, OR INCORPORATED IN ANY OTHER PROJECTS.

**ENVIRO SYSTEMS, INC.**  
SEMINOLE, OKLAHOMA  
**VALVE, TEMPERATURE CONTROL**  
TITLE  
SIZE: D 0B9E8 CAGE CODE: 1300170-CAT DRAWING NO. REV.  
SCALE: 1.5:1 WEIGHT: NOTED SHEET 1 OF 2



**PROPRIETARY NOTICE**  
THIS DRAWING IS A PART OF THE PROPRIETARY ARTICLE  
HEREIN DISCLOSED, AND ALL DESIGN, MANUFACTURING,  
REPRODUCTION, USE, PATENT RIGHTS AND SALES RIGHTS  
REGARDING THE SAME ARE EXPRESSLY RESERVED BY  
ENVIRO SYSTEMS, INC. IT IS SUBMITTED UNDER A  
CONFIDENTIAL RELATIONSHIP FOR A SPECIFIC PURPOSE  
AND SHALL NOT BE DISCLOSED TO ANY UNAUTHORIZED  
PERSON, COMPANY, OR INCORPORATED IN ANY OTHER  
PROJECTS.

**ENVIRO SYSTEMS, INC.**  
SEMINOLE, OKLAHOMA

**VALVE, TEMPERATURE  
CONTROL**

SIZE	CAGE CODE	DRAWING NO.	REV.
D	0B9E8	1300170-CAT	
SCALE: 1.5:1	WEIGHT: NOTED	SHEET 2 OF 2	