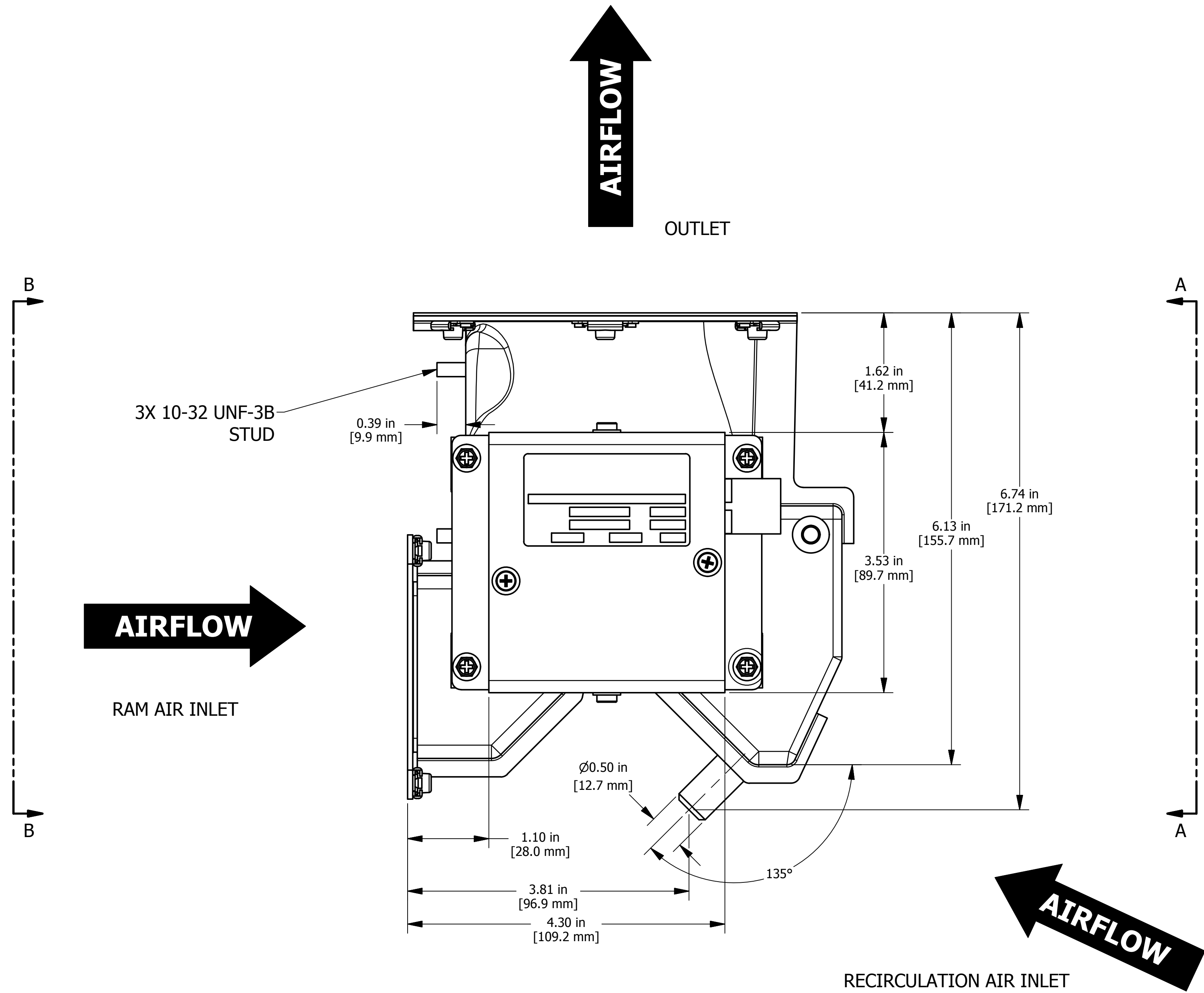
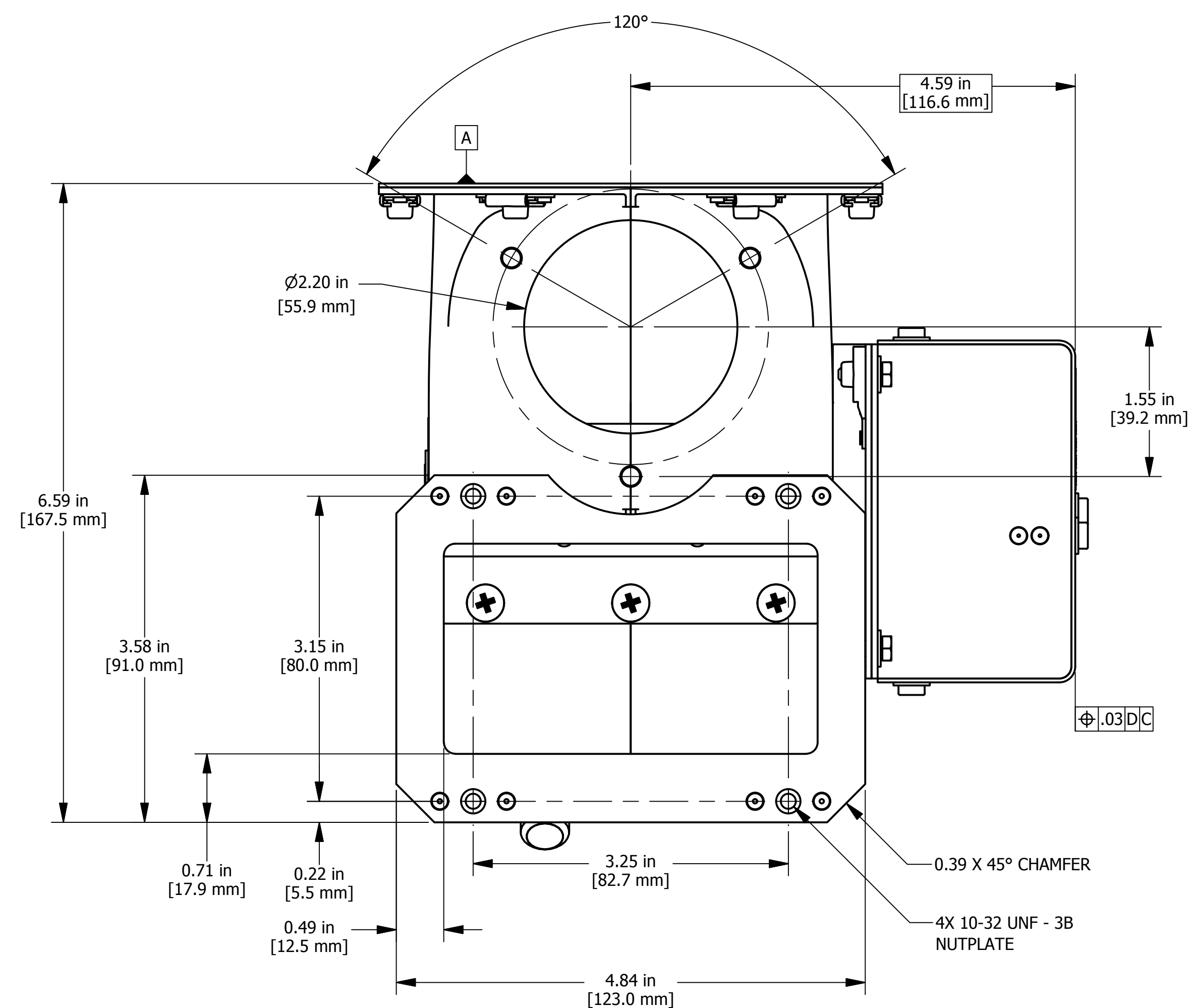
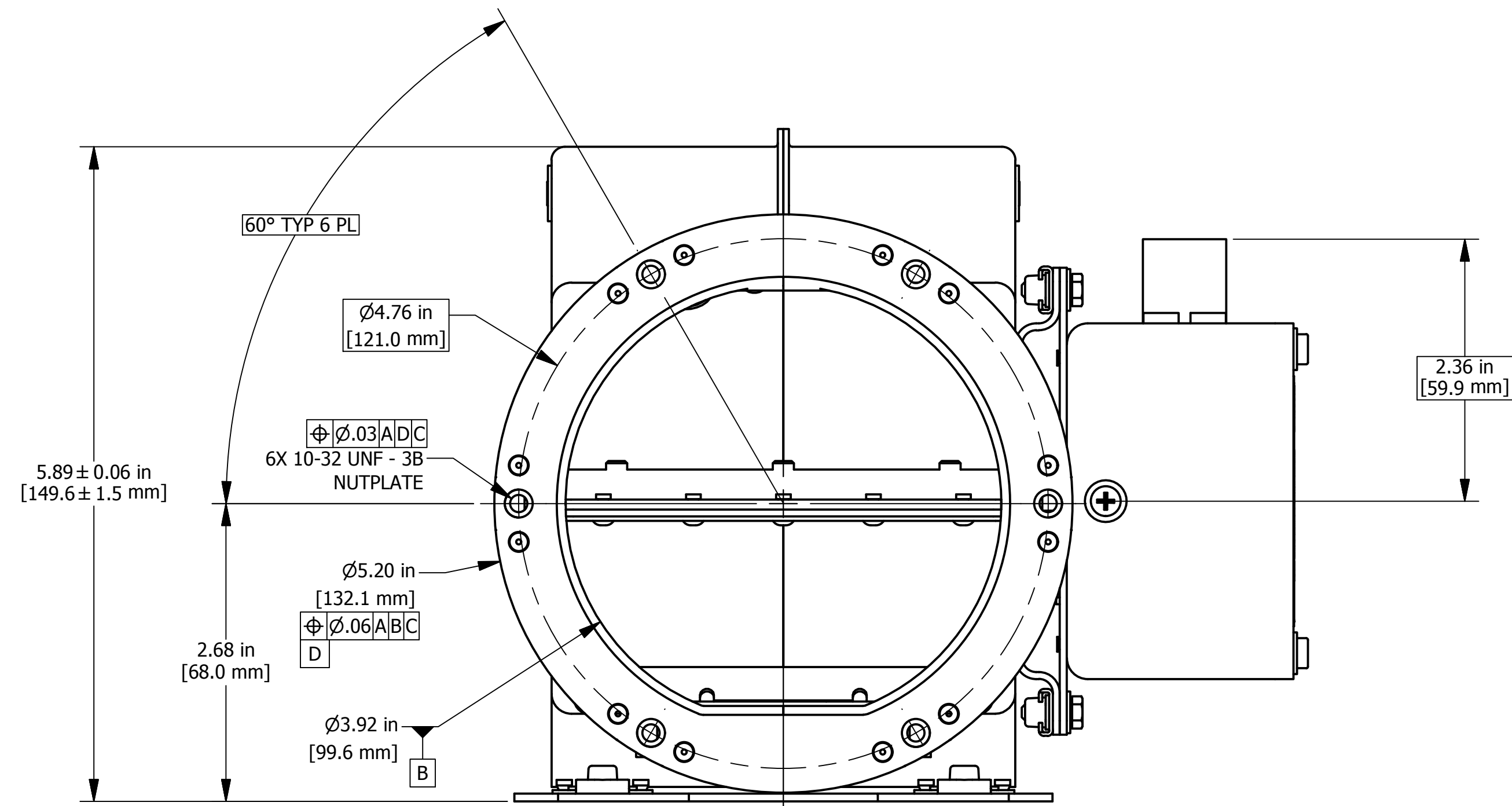


ISOMETRIC VIEW

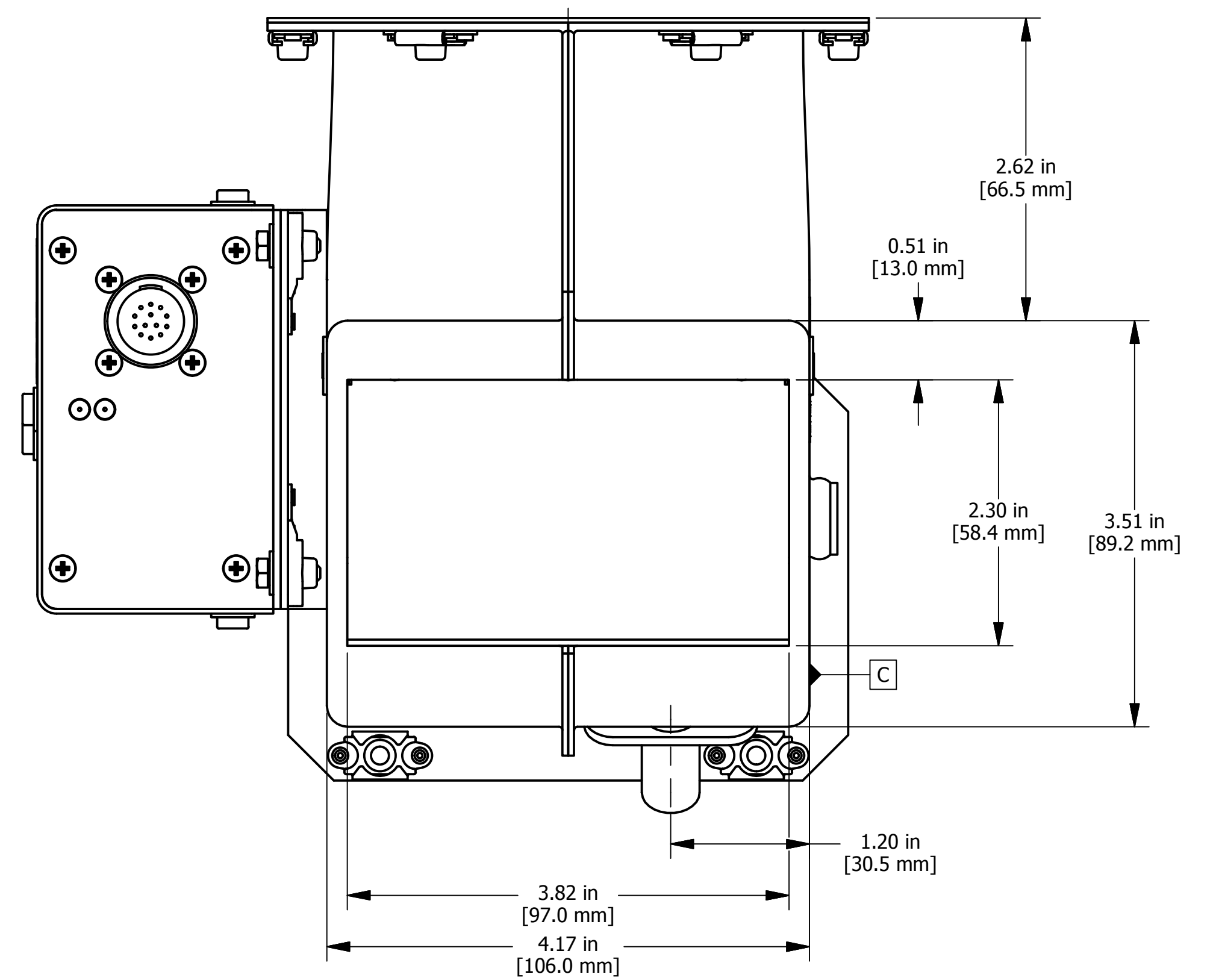
DESIGN SPECIFICATIONS	
VOLTAGE	28 VDC
CURRENT	1.0 AMP MAX
OPERATING TEMPERATURE	-40°C TO 85°C CONTINUOUS -55°C TO 100°C SHORT TIME
WEIGHT	2.15 LBS MAX



PROPRIETARY NOTICE		ENVIRO SYSTEMS, INC.	
THIS DRAWING IS A PART OF THE PROPRIETARY ARTICLE HEREIN DISCLOSED, AND ALL DESIGN, MANUFACTURING, REPRODUCTION, USE, PATENT RIGHTS AND SALES RIGHTS REGARDING THE SAME ARE EXPRESSLY RESERVED BY ENVIRO SYSTEMS, INC. IT IS SUBMITTED UNDER A CONFIDENTIAL RELATIONSHIP FOR A SPECIFIC PURPOSE AND SHALL NOT BE DISCLOSED TO ANY UNAUTHORIZED PERSON, COMPANY, OR INCORPORATED IN ANY OTHER PROJECTS.		SEMINOLE, OKLAHOMA	
TITLE		COCKPIT FRESH AIR VALVE	
SIZE: D 0B9E8	CAGE CODE: 1300010-CAT	DRAWING NO.:	REV.:
SCALE: 1:1	WEIGHT: NOTED	SHEET 1 OF 2	



VIEW B-B
SCALE 1 : 1



VIEW A-A
SCALE 1 : 1

PROPRIETARY NOTICE
THIS DRAWING IS A PART OF THE PROPRIETARY ARTICLE HEREIN DISCLOSED, AND ALL DESIGN, MANUFACTURING, REPRODUCTION, USE, PATENT RIGHTS AND SALES RIGHTS REGARDING THE SAME ARE EXPRESSLY RESERVED BY ENVIRO SYSTEMS, INC. IT IS SUBMITTED UNDER A CONFIDENTIAL RELATIONSHIP FOR A SPECIFIC PURPOSE AND SHALL NOT BE DISCLOSED TO ANY UNAUTHORIZED PERSON, COMPANY, OR INCORPORATED IN ANY OTHER PROJECTS.

ENVIRO SYSTEMS, INC.
SEMINOLE, OKLAHOMA

COCKPIT FRESH AIR VALVE

TITLE	SIZE	CAGE CODE	DRAWING NO.	REV.
	D	0B9E8	1300010-CAT	
SCALE:	1:1	WEIGHT:	NOTED	SHEET 2 OF 2