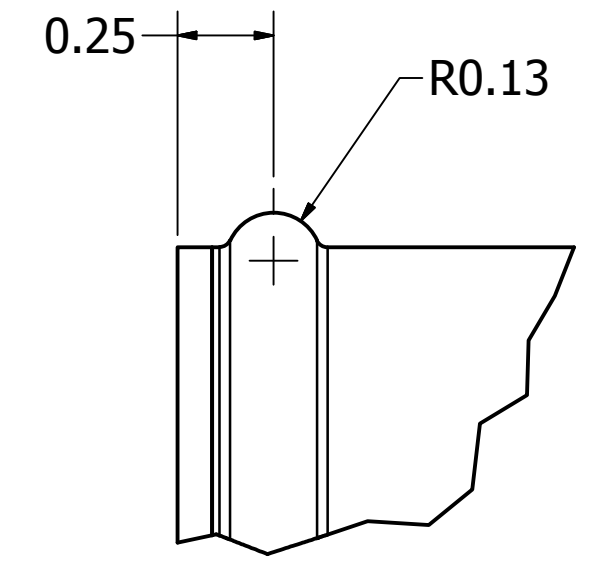
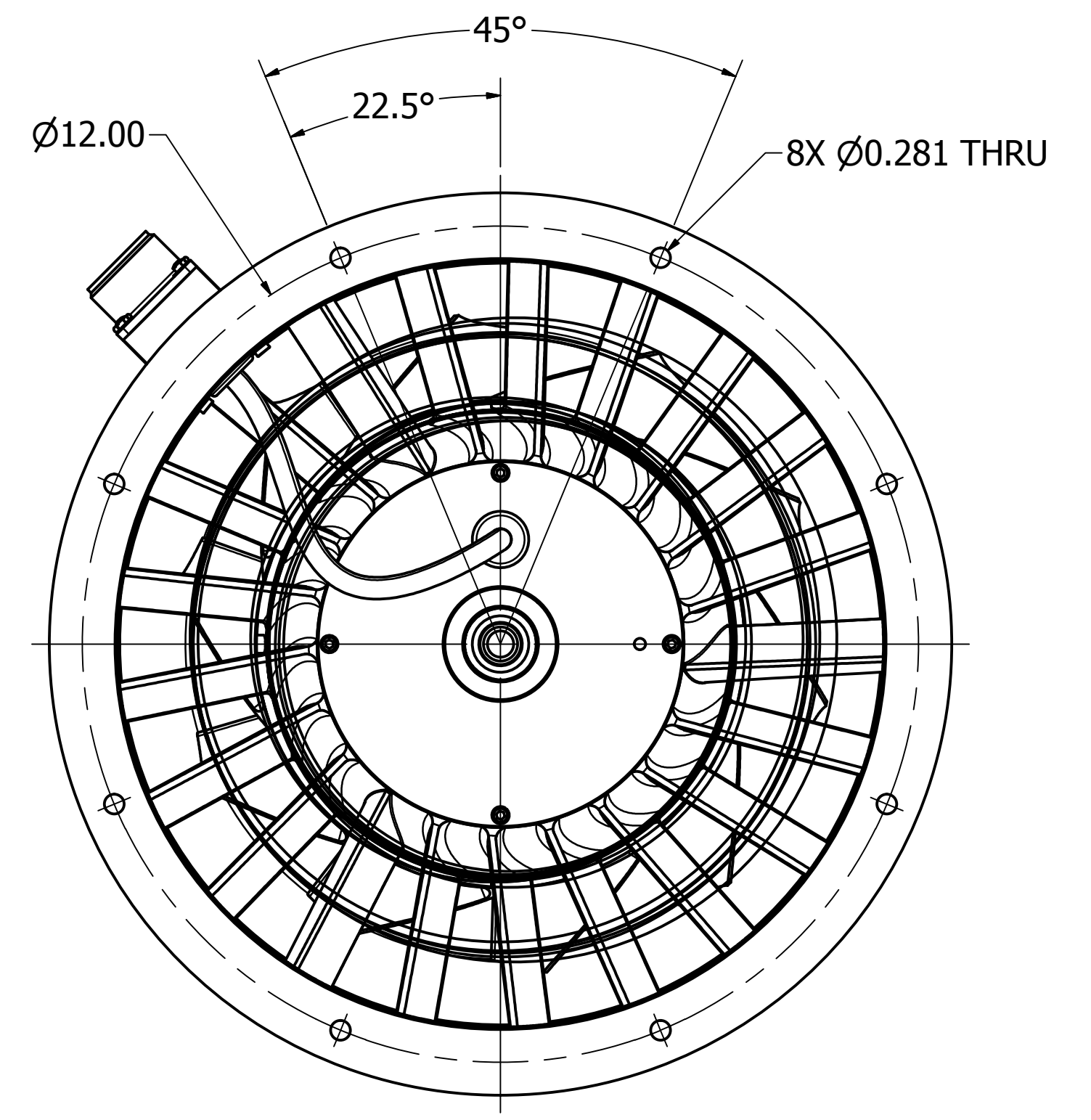
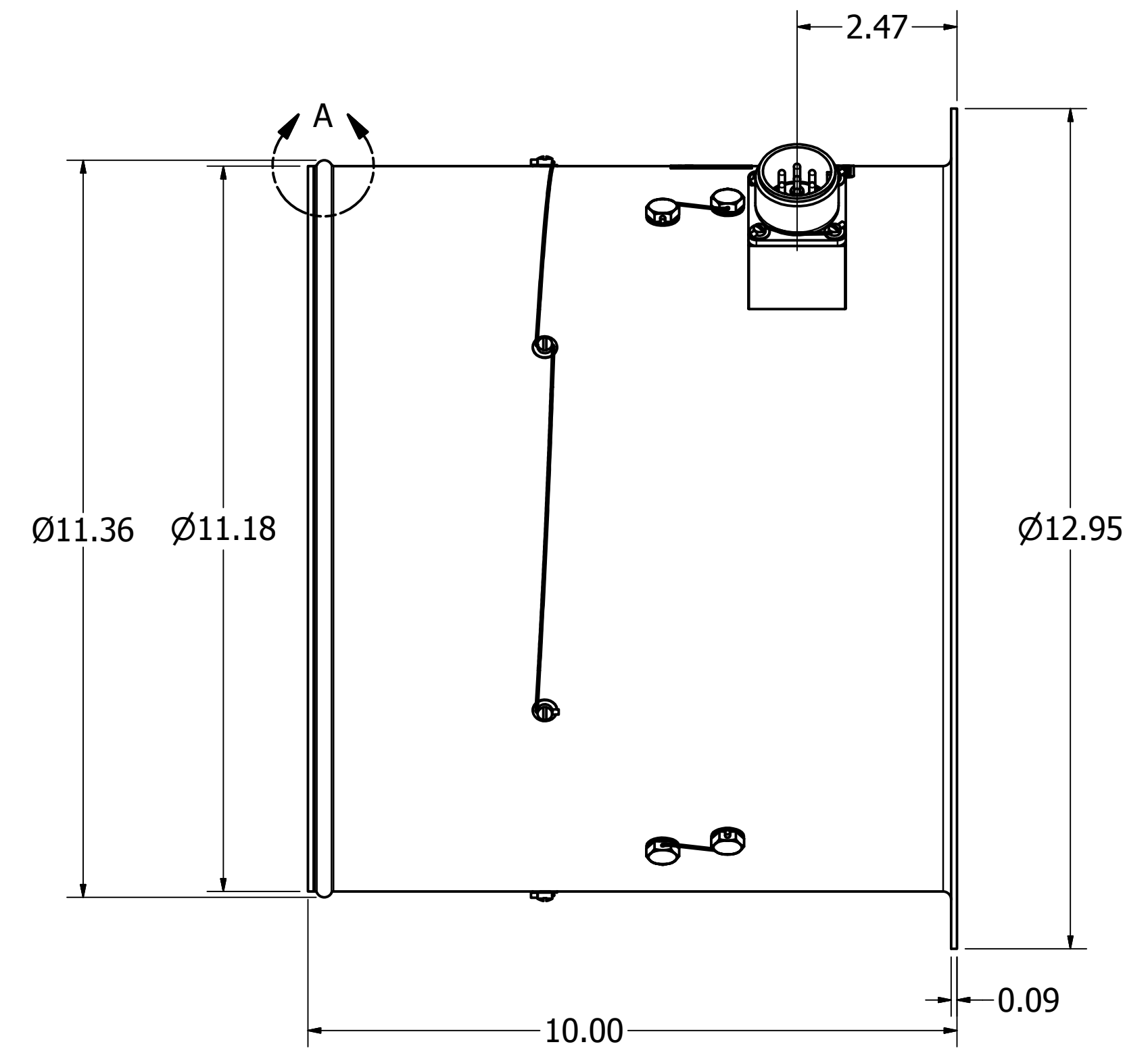
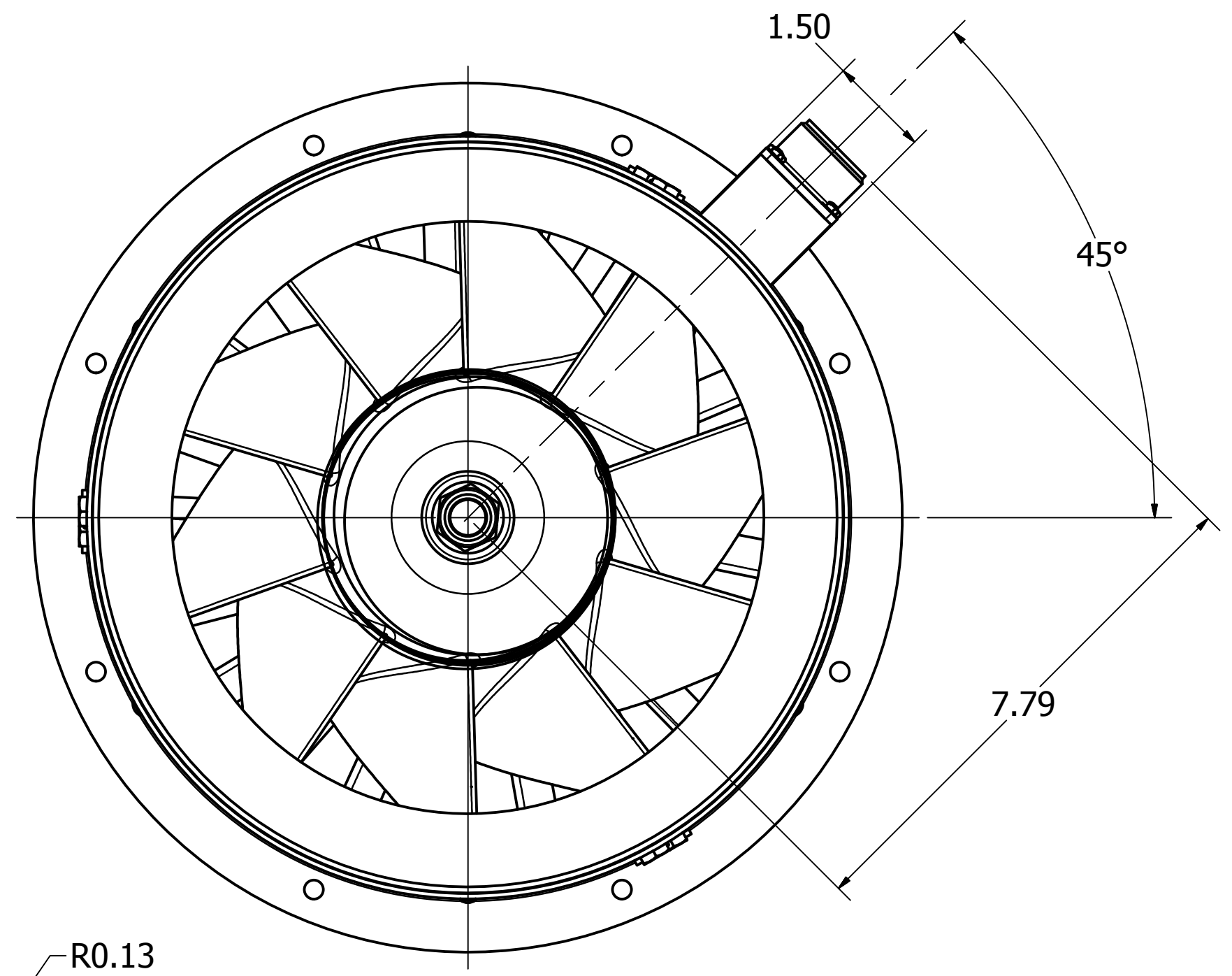
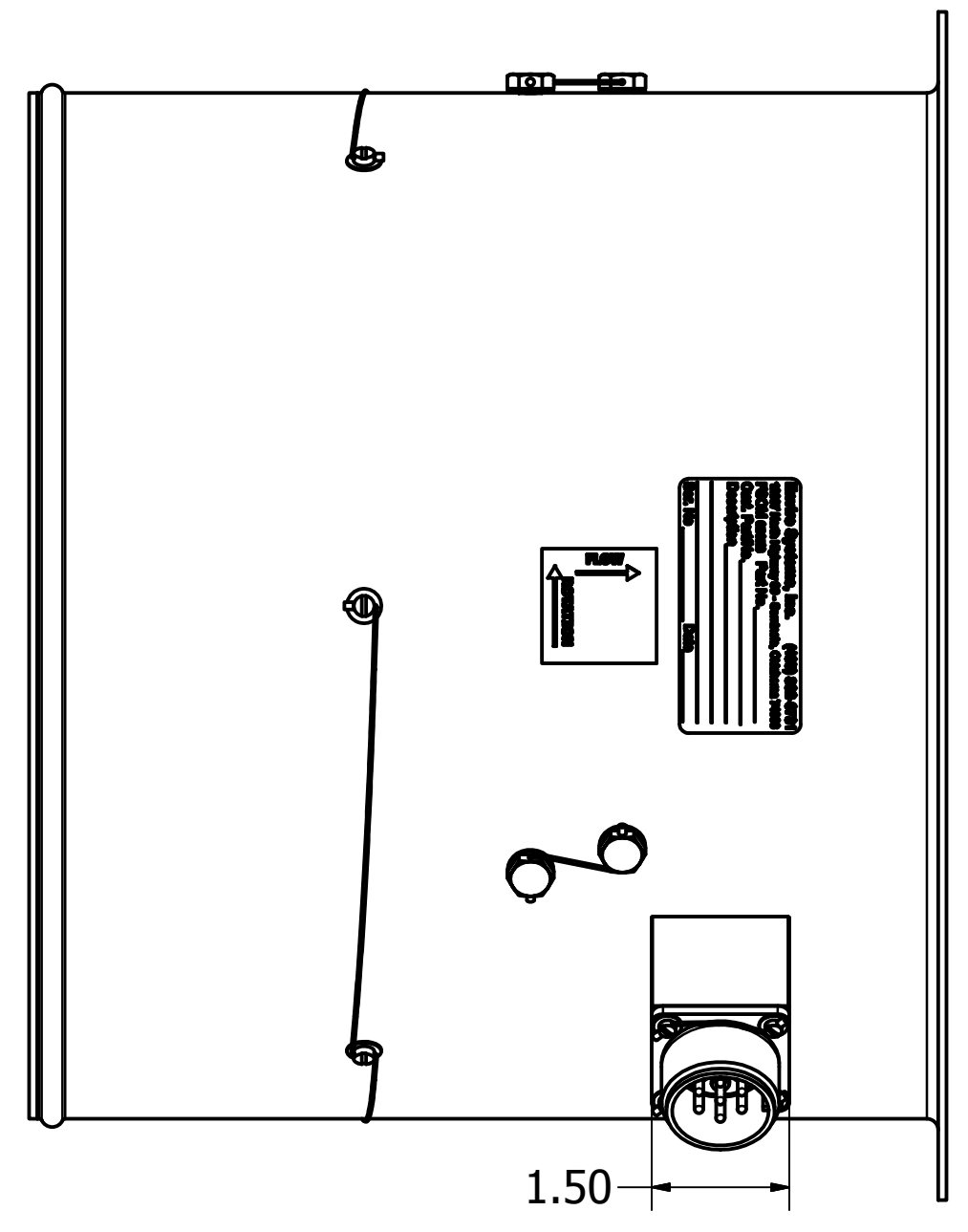


DESIGN SPECIFICATIONS	
AIRFLOW	2950 CFM MIN @ 7.0 IN-WC
VOLTAGE	115/200 VAC, 3-PHASE, 400 Hz
CURRENT	19 AMPS MAX
SPEED	7,800 RPM NOM.
WEIGHT	27.0 LBS MAX



DETAIL A  
SCALE 2 : 1

<b>PROPRIETARY NOTICE</b> THIS DRAWING IS A PART OF THE PROPRIETARY ARTICLE HEREIN DISCLOSED, AND ALL DESIGN, MANUFACTURING, REPRODUCTION, USE, PATENT RIGHTS AND SALES RIGHTS REGARDING THE SAME ARE EXPRESSLY RESERVED BY ENVIRO SYSTEMS, INC. IT IS SUBMITTED UNDER A CONFIDENTIAL RELATIONSHIP FOR A SPECIFIC PURPOSE AND SHALL NOT BE DISCLOSED TO ANY UNAUTHORIZED PERSON, COMPANY, OR INCORPORATED IN ANY OTHER PROJECTS.		<b>ENVIRO SYSTEMS, INC.</b> SEMINOLE, OKLAHOMA	
<b>TITLE</b> FAN, VANE AXIAL, 11 INCH		<b>REV.</b>	
SIZE: <b>D 0B9E8</b>	CAGE CODE:	DRAWING NO.: <b>1270950-CAT</b>	REV.:
SCALE: 1/2	WEIGHT: 27.0 LBS MAX	SHEET 1 OF 1	