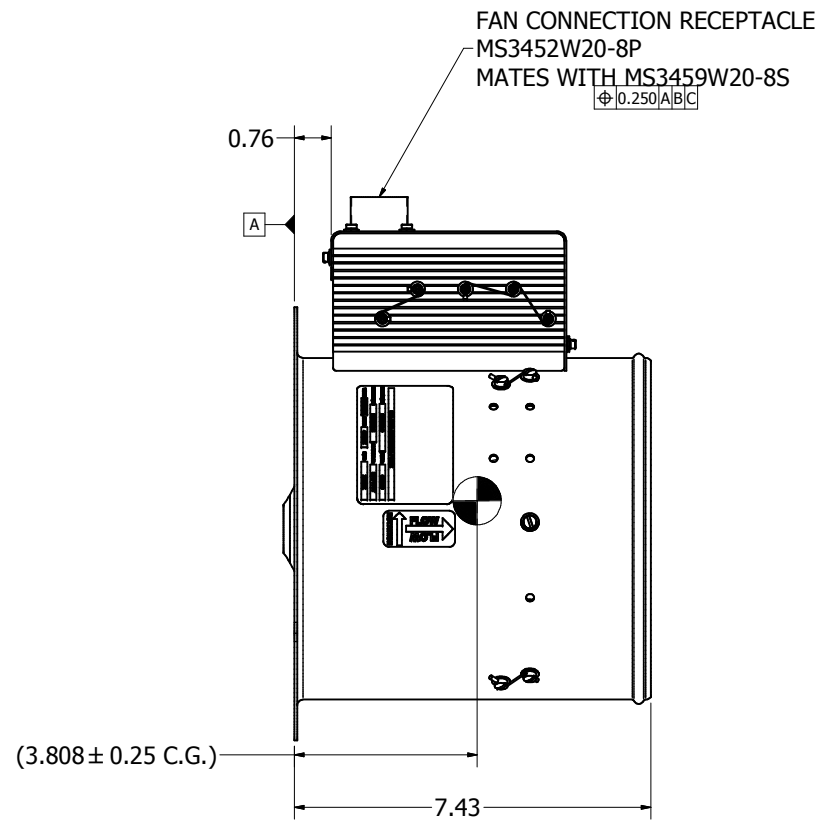
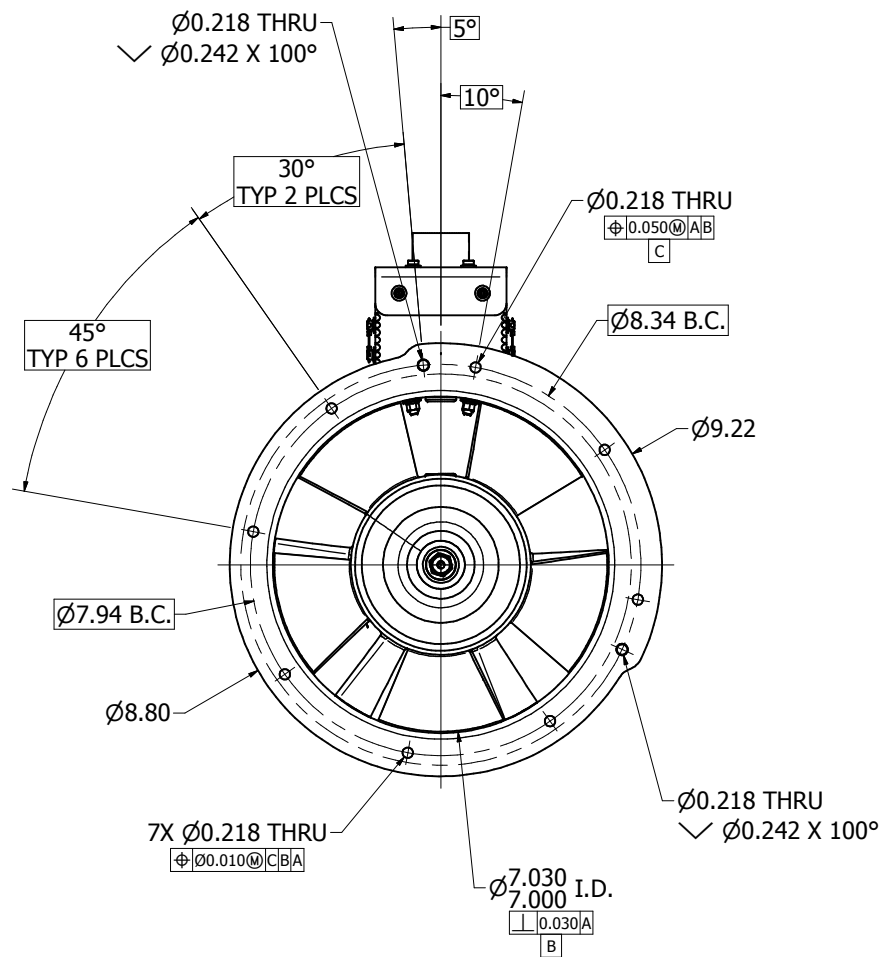
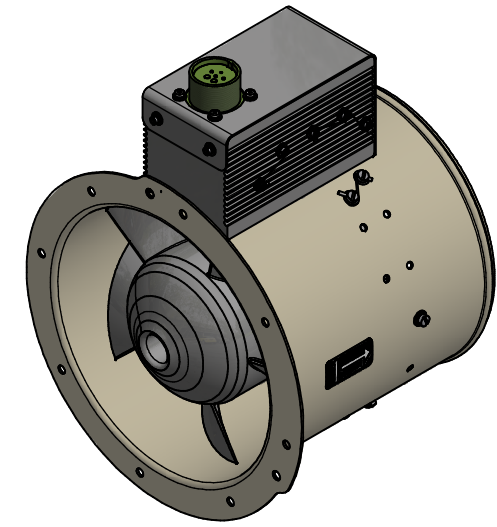
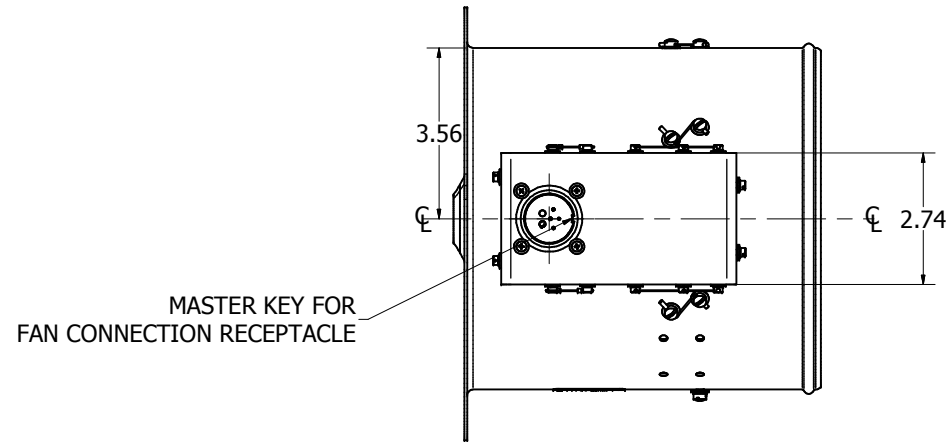
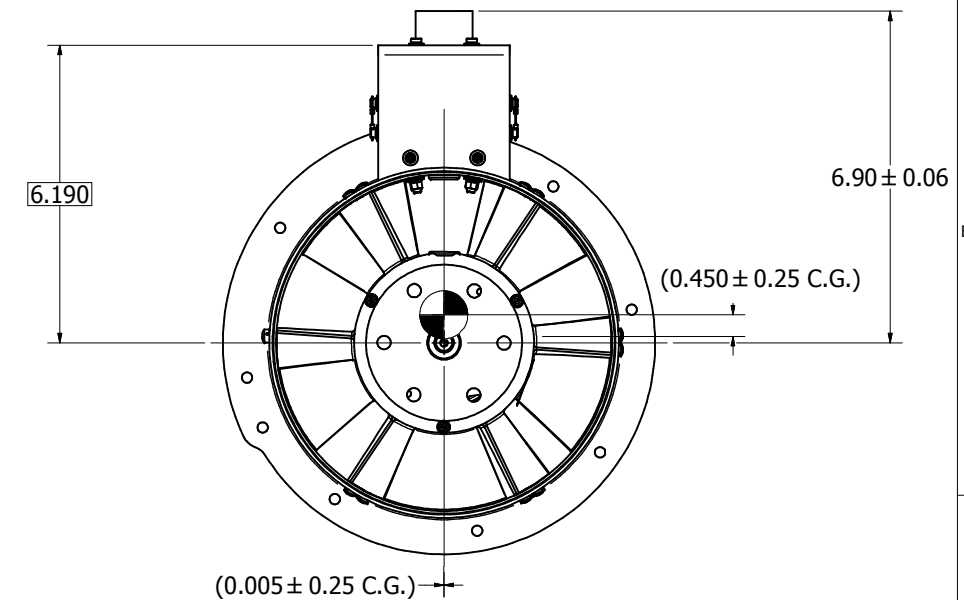


DESIGN SPECIFICATIONS	
AIRFLOW (HIGH SPEED)	1100 ACFM
STATIC PRESSURE (HIGH SPEED)	3.0" W.G. EXTERNAL TO FAN
PRESSURE	14.696 PSIA [1.01325 BAR]
TEMPERATURE	68 °F [20 °C]
VOLTAGE	28.0 VDC (NOM.)
HIGH SPEED	8,000 RPM
HIGH SPEED CURRENT	45 AMPS (MAX.)
WEIGHT	9.25 LBS (MAX.) [4.20 KG (MAX)]
OPERATING TEMPERATURE	-40°F TO 158°F [-40°C TO 70°C]
SHORT TIME OPERATION AND STORAGE	-67°F TO 185°F [-55°C TO 85°C]
ALTITUDE	-1K TO 50K FT



FRONT VIEW
SCALE 1 : 2



<p>PROPRIETARY NOTICE THIS DRAWING IS A PART OF THE PROPRIETARY ARTICLE HEREIN DISCLOSED, AND ALL DESIGN, MANUFACTURING, REPRODUCTION, USE, PATENT RIGHTS AND SALES RIGHTS REGARDING THE SAME ARE EXPRESSLY RESERVED BY ENVIRO SYSTEMS, INC. IT IS SUBMITTED UNDER A CONFIDENTIAL RELATIONSHIP FOR A SPECIFIC PURPOSE AND SHALL NOT BE DISCLOSED TO ANY UNAUTHORIZED PERSON, COMPANY, OR INCORPORATED IN ANY OTHER PROJECTS.</p>		<p>ENVIRO SYSTEMS, INC. SEMINOLE, OKLAHOMA</p> <p>FAN, AXIAL, CONDENSER, 7 INCH</p>	
SIZE	CAGE CODE	DRAWING NO.	REV.
D 0B9E8		1270700-CAT	B
SCALE: 1 : 2		WEIGHT: 10.50	SHEET 1 OF 1