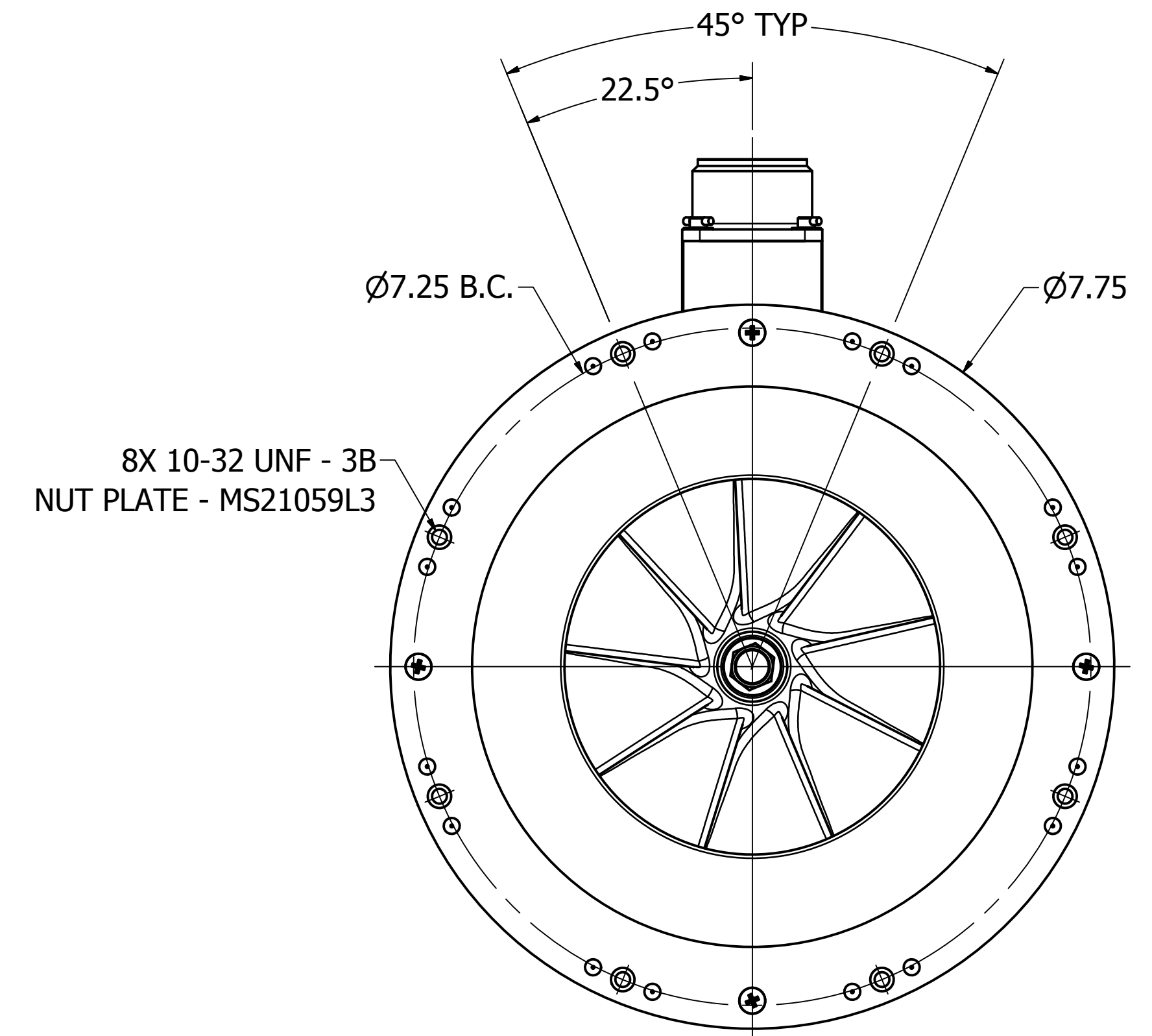
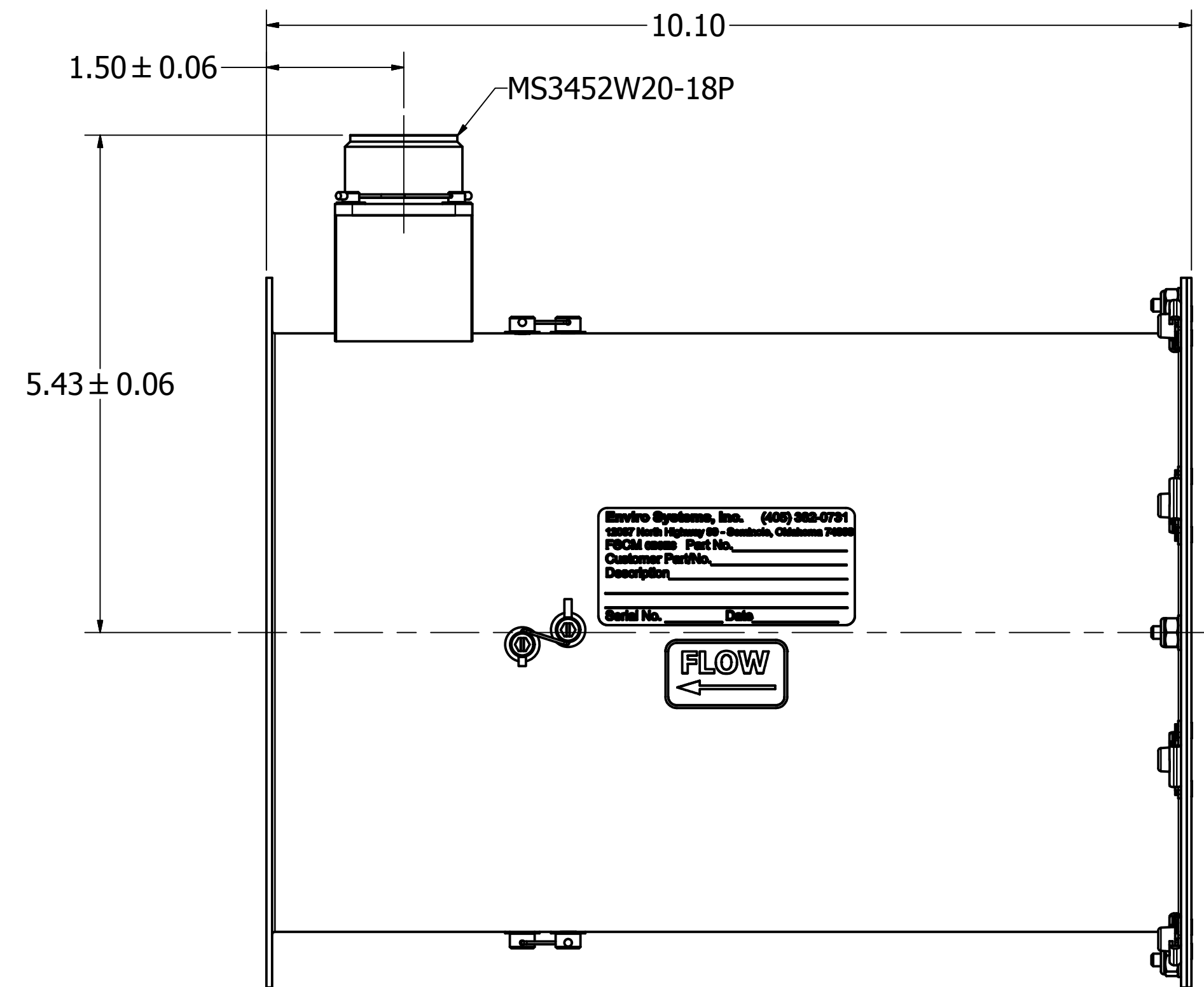
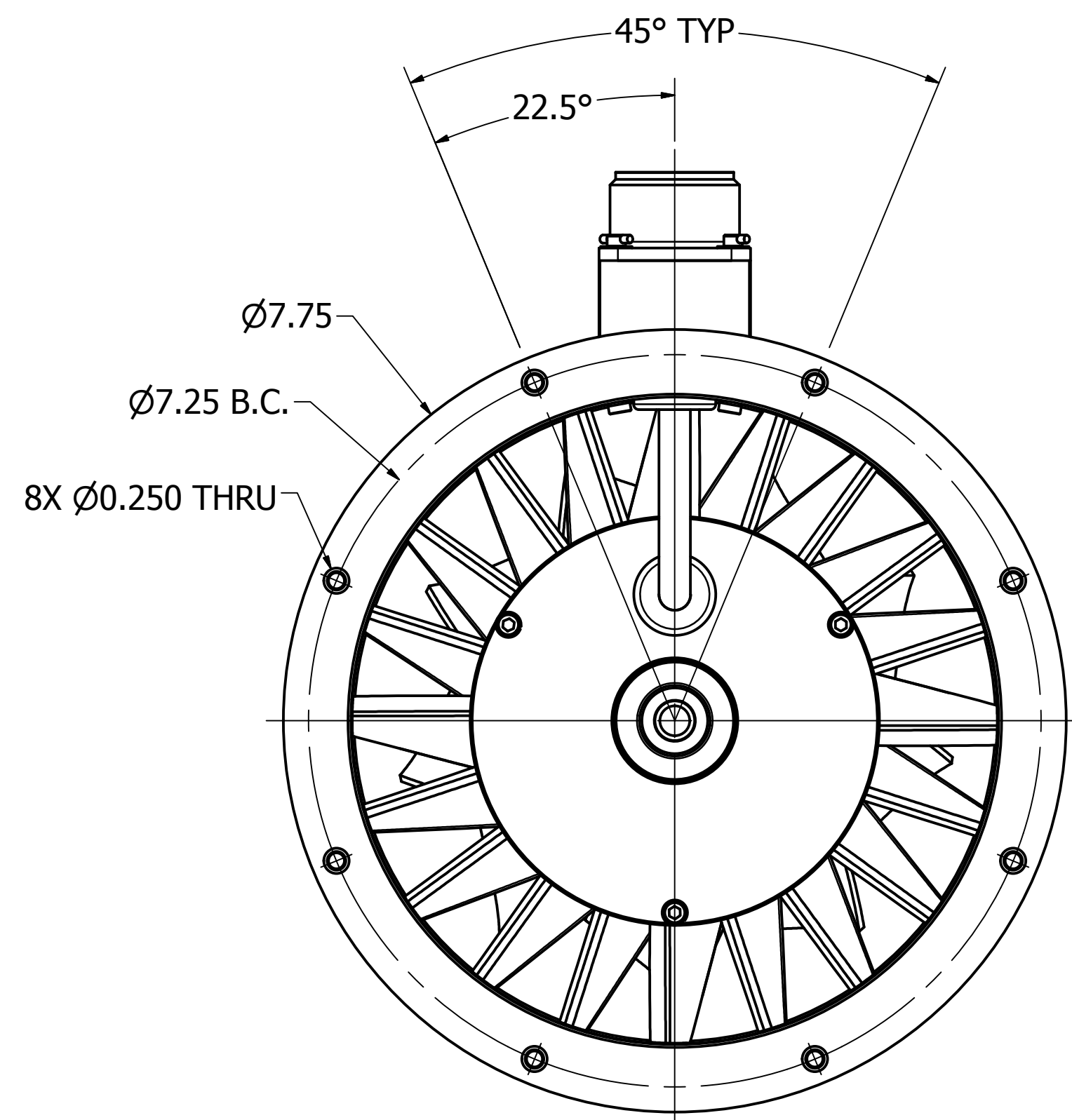


DESIGN SPECIFICATIONS	
AIRFLOW	700 CFM MIN @ 10 IN-WC
VOLTAGE	115/200 VAC, 3-PHASE, 400 Hz
CURRENT	8 AMPS MAX
HIGH SPEED	11,700 RPM NOM.
LOW SPEED	5,700 RPM NOM.
WEIGHT	11.0 LBS MAX



PROPRIETARY NOTICE
 THIS DRAWING IS A PART OF THE PROPRIETARY ARTICLE HEREIN DISCLOSED, AND ALL DESIGN, MANUFACTURING, REPRODUCTION, USE, PATENT RIGHTS AND SALES RIGHTS REGARDING THE SAME ARE EXPRESSLY RESERVED BY ENVIRO SYSTEMS, INC. IT IS SUBMITTED UNDER A CONFIDENTIAL RELATIONSHIP FOR A SPECIFIC PURPOSE AND SHALL NOT BE DISCLOSED TO ANY UNAUTHORIZED PERSON, COMPANY, OR INCORPORATED IN ANY OTHER PROJECTS.

ENVIRO SYSTEMS, INC.
 SEMINOLE, OKLAHOMA

FAN, 6" VANE AXIAL

TITLE	SIZE	CAGE CODE	DRAWING NO.	REV.
	D	0B9E8	1270600-CAT	
SCALE:	3/4	WEIGHT:	10.9	SHEET 1 OF 1