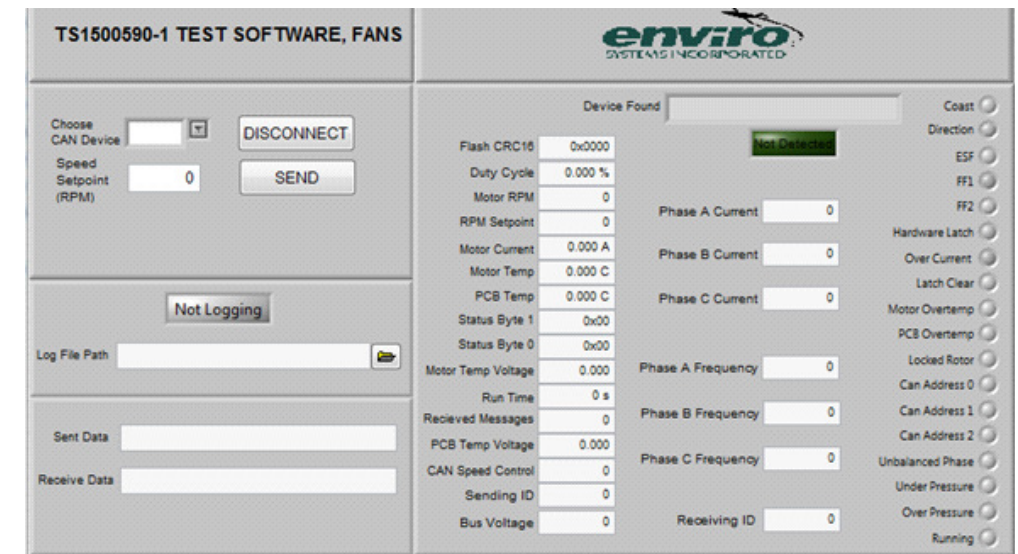
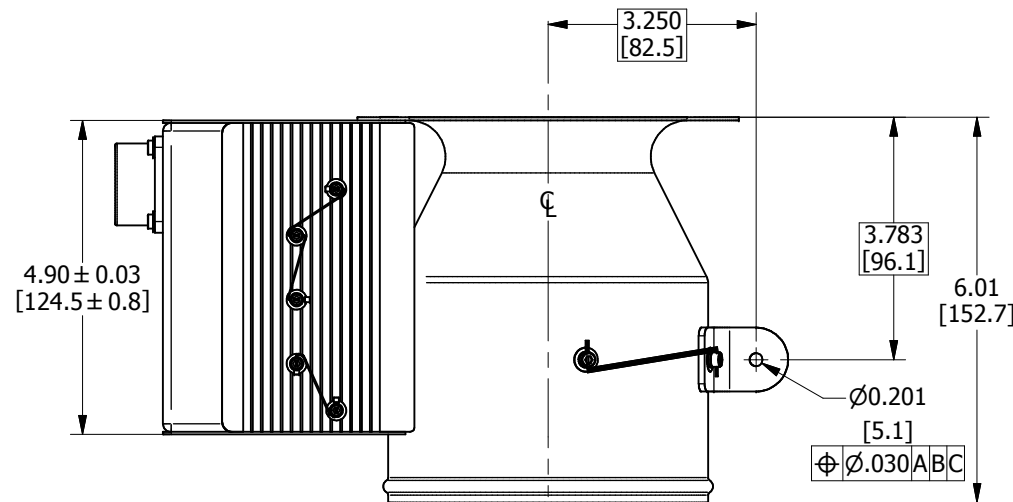


DESIGN SPECIFICATIONS	
AIRFLOW (HIGH SPEED)	400 SCFM
STATIC PRESSURE (HIGH SPEED)	7.5" W.G. EXTERNAL TO FAN
PRESSURE	14.696 PSIA [1.01325 BAR]
TEMPERATURE	68 °F [20 °C]
VOLTAGE	28.0 VDC (NOM.)
HIGH SPEED	18,000 RPM
HIGH SPEED CURRENT	32 AMPS (MAX.)
WEIGHT	5.75 LBS (MAX.) [2.61 KG (MAX)]
OPERATING TEMPERATURE	-67°F TO 158°F [-55°C TO 70°C]
SHORT TIME OPERATION AND ALTITUDE	-67°F TO 185°F [-55°C TO 85°C] -1K TO 25K FT



PROPRIETARY NOTICE
 THIS DRAWING IS A PART OF THE PROPRIETARY ARTICLE HEREIN DISCLOSED, AND ALL DESIGN, MANUFACTURING, REPRODUCTION, USE, PATENT RIGHTS AND SALES RIGHTS REGARDING THE SAME ARE EXPRESSLY RESERVED BY ENVIRO SYSTEMS, INC. IT IS SUBMITTED UNDER A CONFIDENTIAL RELATIONSHIP FOR A SPECIFIC PURPOSE AND SHALL NOT BE DISCLOSED TO ANY UNAUTHORIZED PERSON, COMPANY, OR INCORPORATED IN ANY OTHER PROJECTS.

ENVIRO SYSTEMS, INC.
 SEMINOLE, OKLAHOMA

SINGLE BLADE, MIXED FLOW FAN, 4.9 INCH

TITLE

SIZE: D 0B9E8 CAGE CODE: 1270490-CAT DRAWING NO. E

SCALE: 1/2 WEIGHT: SHEET 1 OF 1