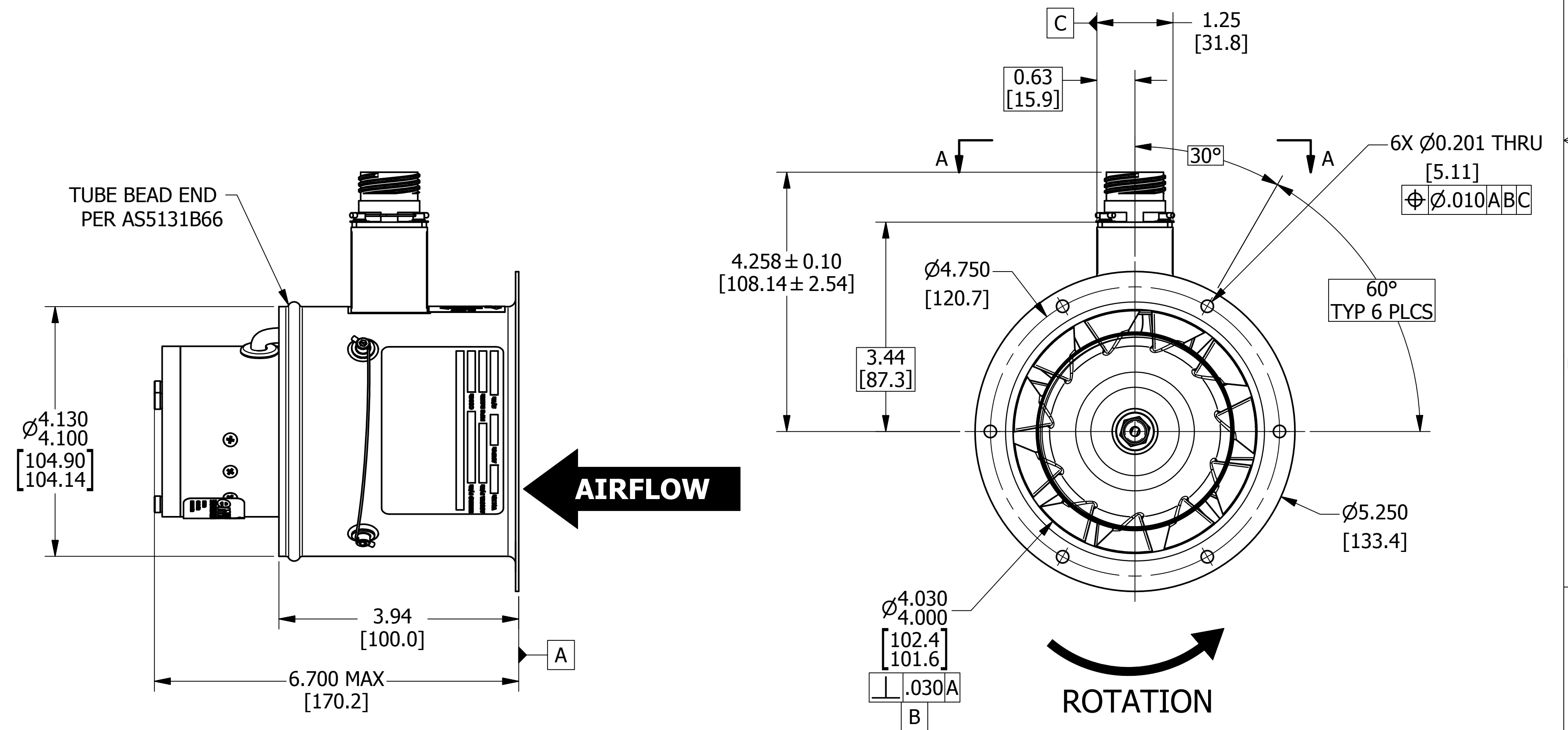
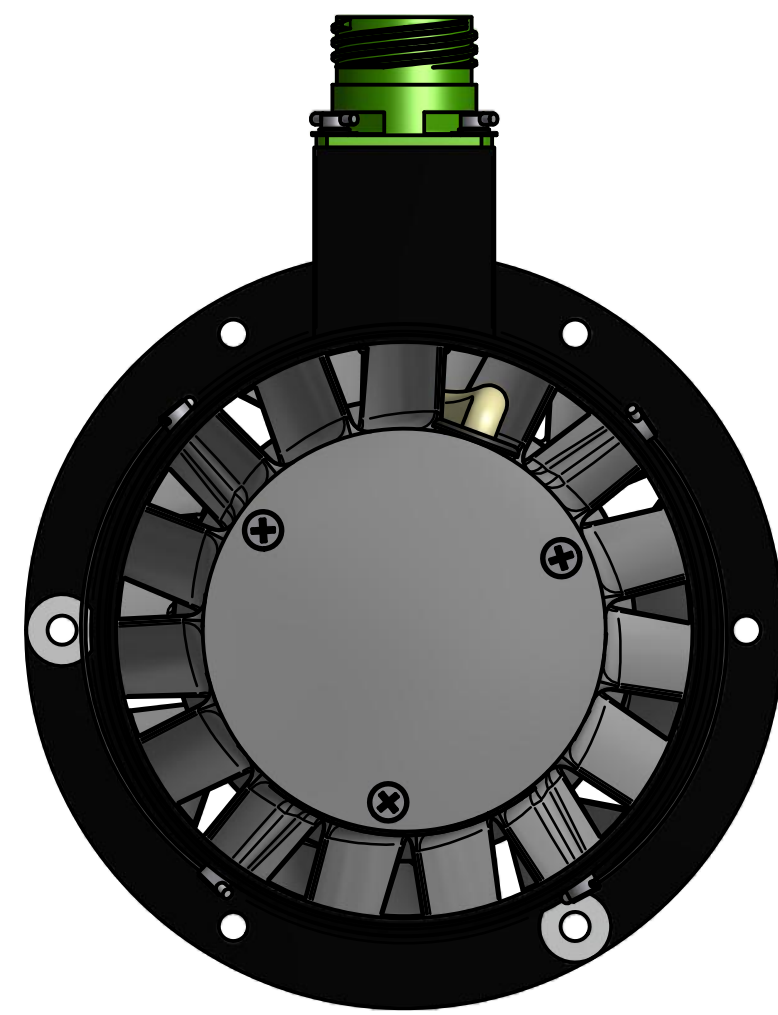
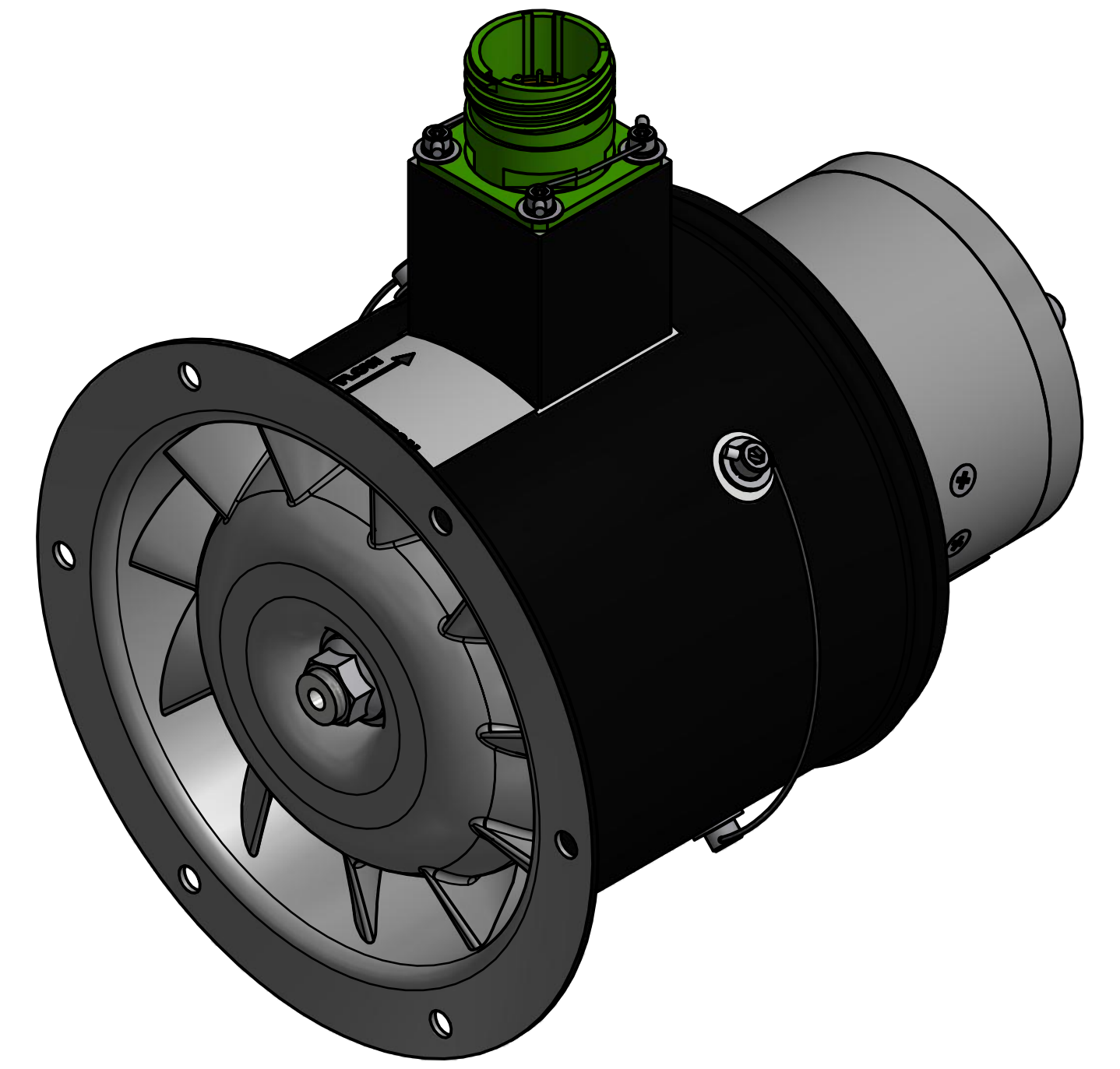
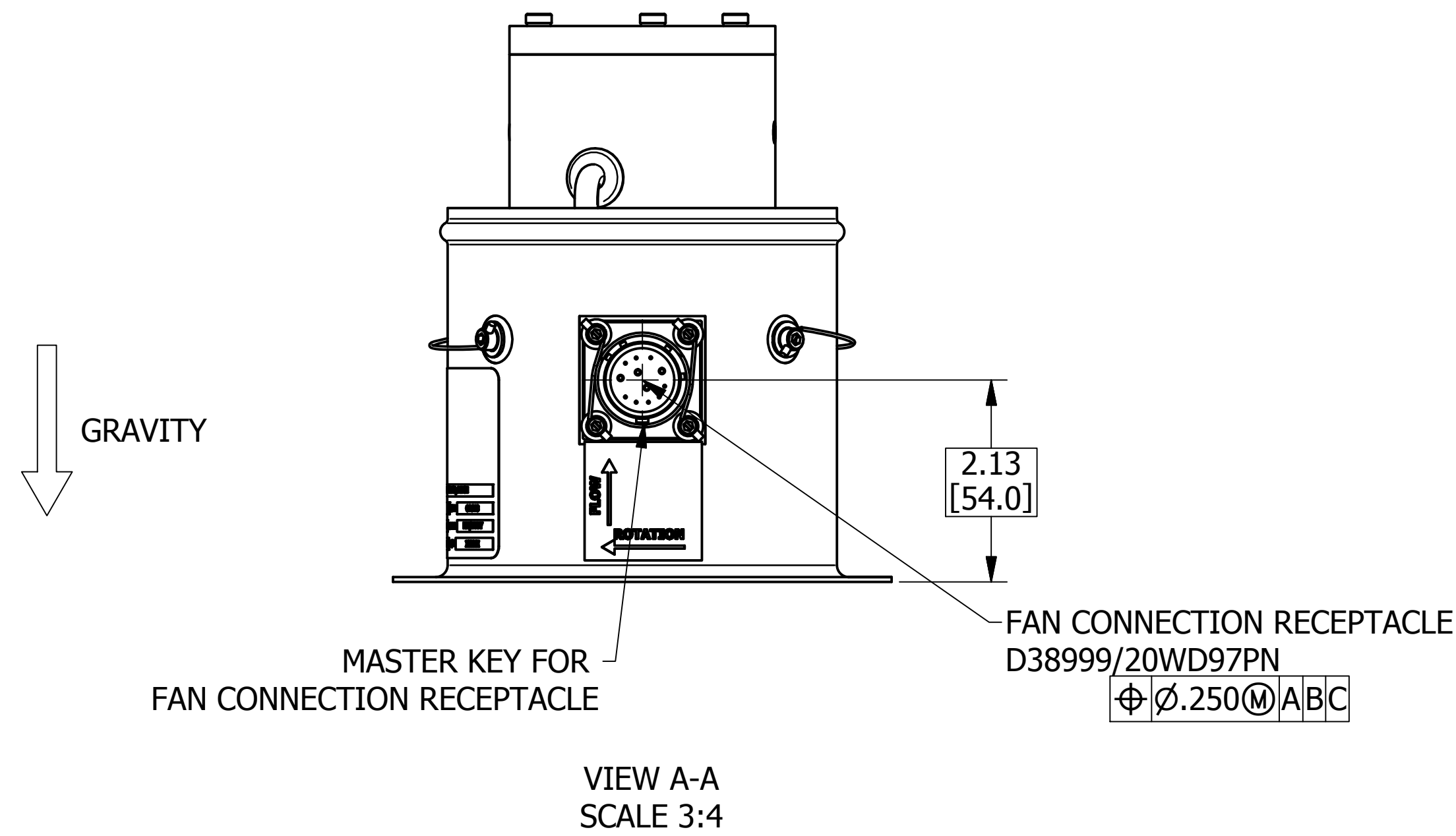


DESIGN SPECIFICATIONS

AIRFLOW (HIGH SPEED)	240 SCFM
STATIC PRESSURE (HIGH SPEED)	3.2" W.G. EXTERNAL TO FAN
PRESSURE	14.696 PSIA [1.01325 BAR]
TEMPERATURE	68° F [20° C]
VOLTAGE	28.0 VDC (NOM.)
HIGH SPEED	11,500 RPM
HIGH SPEED CURRENT	15 AMPS (MAX.)
WEIGHT	2.75 LBS (MAX.) [1.25 KG]
OPERATING TEMPERATURE	-40°F TO 158°F [-40°C TO 70°C]
SHORT TIME OPERATION AND STORAGE	-40°F TO 212°F [40°C TO 100°C]
ALTITUDE	-1K TO 20K FT



PROPRIETARY NOTICE
 THIS DRAWING IS A PART OF THE PROPRIETARY ARTICLE HEREIN DISCLOSED, AND ALL DESIGN, MANUFACTURING, REPRODUCTION, USE, PATENT RIGHTS AND SALES RIGHTS REGARDING THE SAME ARE EXPRESSLY RESERVED BY ENVIRO SYSTEMS, INC. IT IS SUBMITTED UNDER A CONFIDENTIAL RELATIONSHIP FOR A SPECIFIC PURPOSE AND SHALL NOT BE DISCLOSED TO ANY UNAUTHORIZED PERSON, COMPANY, OR INCORPORATED IN ANY OTHER PROJECTS.

ENVIRO SYSTEMS, INC.
 SEMINOLE, OKLAHOMA

FAN, AXIAL, COCKPIT EVAPORATOR, 4 INCH

SIZE: **D 0B9E8** CAGE CODE: **1270410-CAT** DRAWING NO. **1270410-CAT** REV. **1**

SCALE: 3:4 WEIGHT: SHEET 1 OF 1