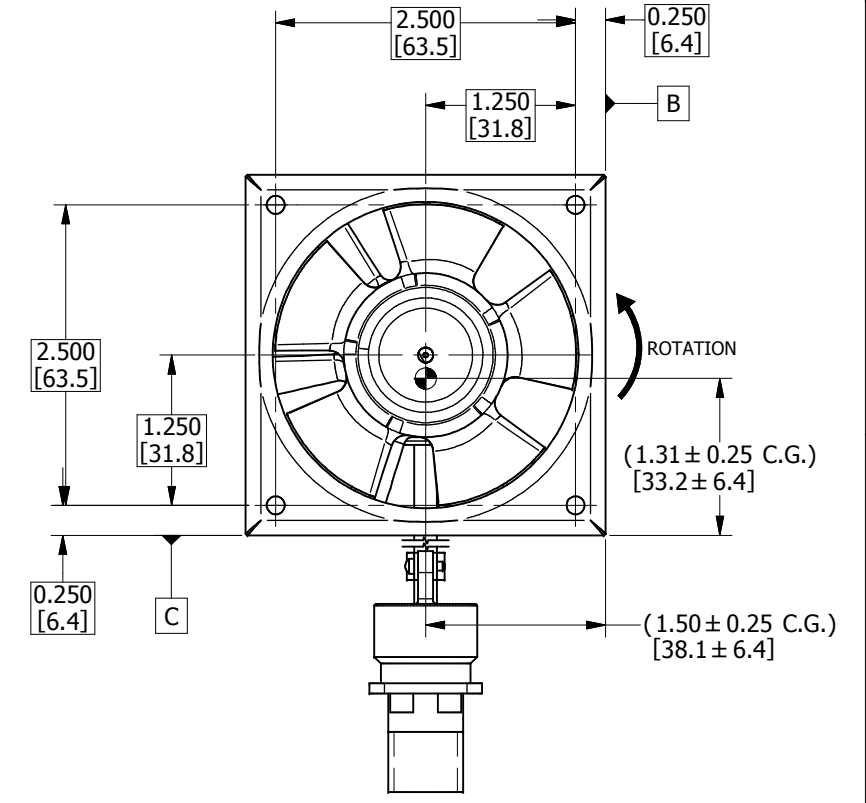
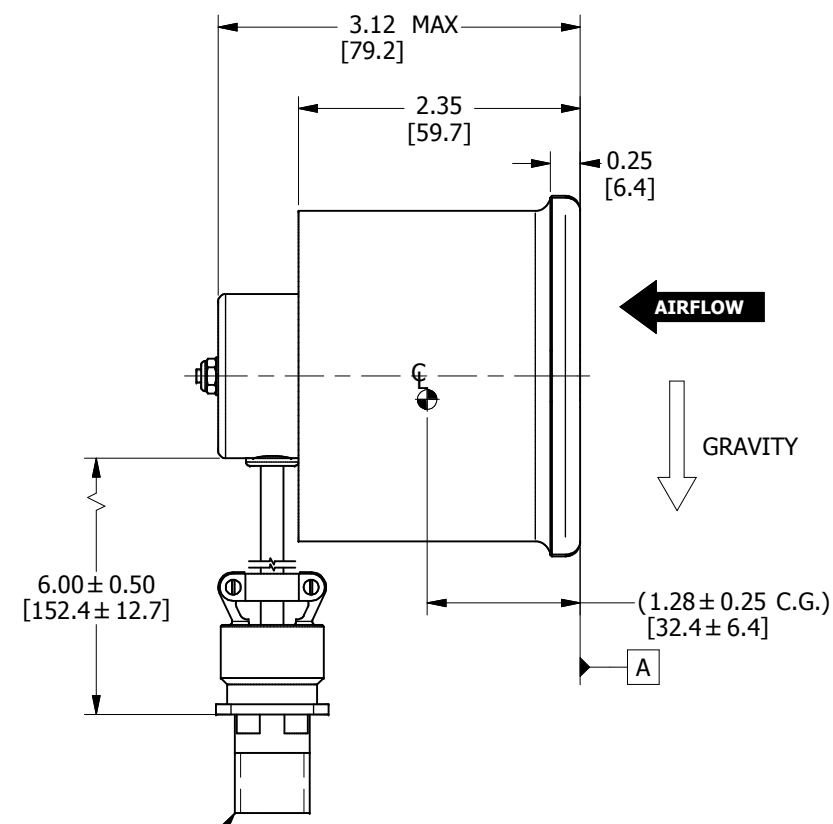
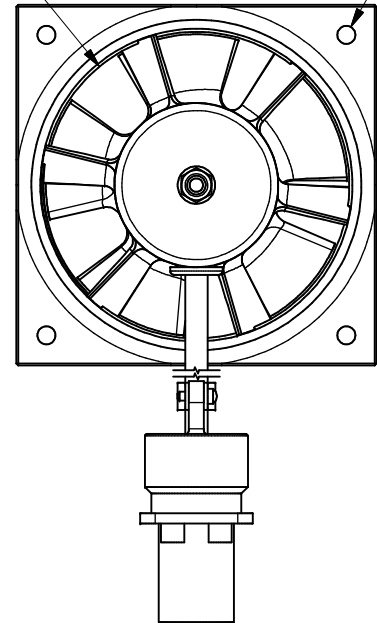


Ø2.55 I.D.
[64.8]
⊕ Ø.030 B/C
L .020 A
D

4X Ø0.150 THRU
[4X Ø3.8 THRU]
⊕ Ø.030 M/D B/C
Ø.010 M/A

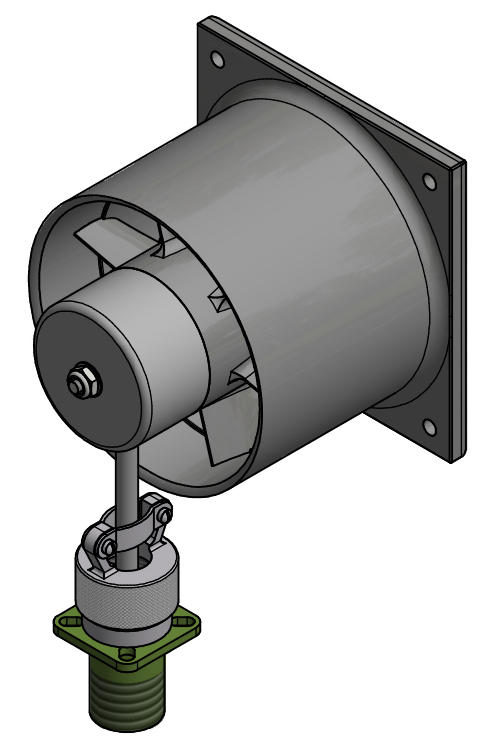
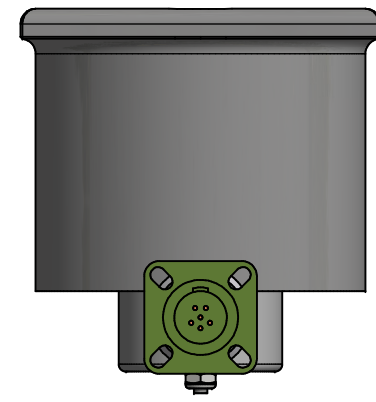
TYP, BOTH SIDES
4 PLCS



FAN CONNECTION RECEPTACLE
D38999/20WA35PN
(MATES WITH D38999/26WA35SN)

DESIGN SPECIFICATIONS

MINIMUM AIRFLOW	40.4 CFM
STATIC PRESSURE (EXTERNAL TO FAN)	0.20" W.G.
MIN SPEED (RPM)	6,800
MAX CURRENT	1 AMP
PRESSURE	14.696 PSIA [1.01325 BAR]
TEMPERATURE	68° F [20° C]
VOLTAGE	28.0 VDC (NOM.)
WEIGHT	0.75 LBS (MAX.) [0.34 KG]
OPERATING TEMPERATURE	-67°F TO 158°F [-55°C TO 70°C]
SHORT TIME OPERATION AND STORAGE	-67°F TO 185°F [-55°C TO 85°C]
ALTITUDE	-1K TO 25K FT



PROPRIETARY NOTICE
THIS DRAWING IS A PART OF THE PROPRIETARY ARTICLE HEREIN DISCLOSED, AND ALL DESIGN, MANUFACTURING, REPRODUCTION, USE, PATENT RIGHTS AND SALES RIGHTS REGARDING THE SAME ARE EXPRESSLY RESERVED BY ENVIRO SYSTEMS, INC. IT IS SUBMITTED UNDER A CONFIDENTIAL RELATIONSHIP FOR A SPECIFIC PURPOSE AND SHALL NOT BE DISCLOSED TO ANY UNAUTHORIZED PERSON, COMPANY, OR INCORPORATED IN ANY OTHER PROJECTS.

ENVIRO SYSTEMS, INC.
SEMINOLE, OKLAHOMA

TITLE FAN, AXIAL, 2.55 INCH

SIZE: D 0B9E8 CAGE CODE: 1270255-CAT DRAWING NO. A REV. A
SCALE: 1:1 WEIGHT: 0.75 LBS SHEET 1 OF 1