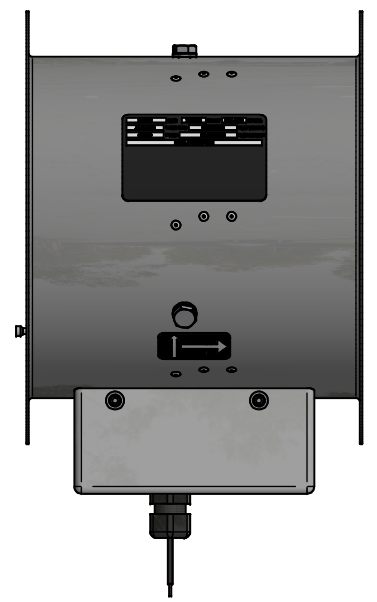
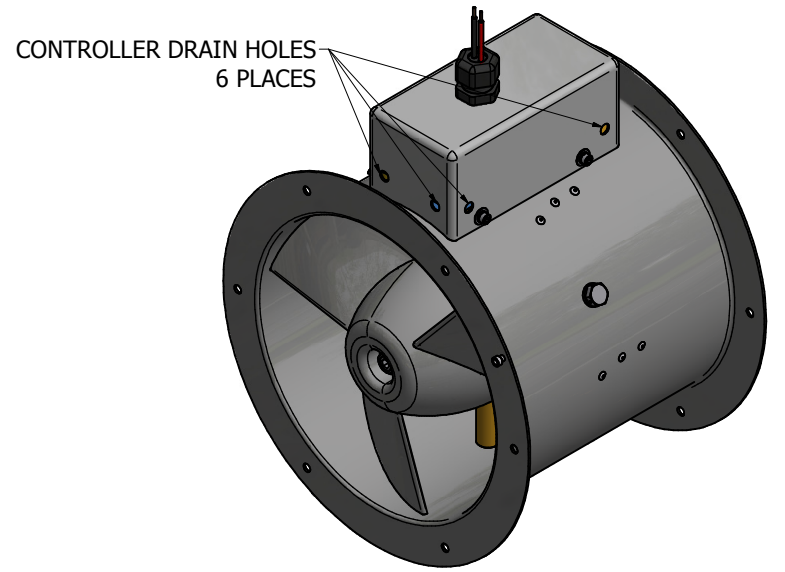


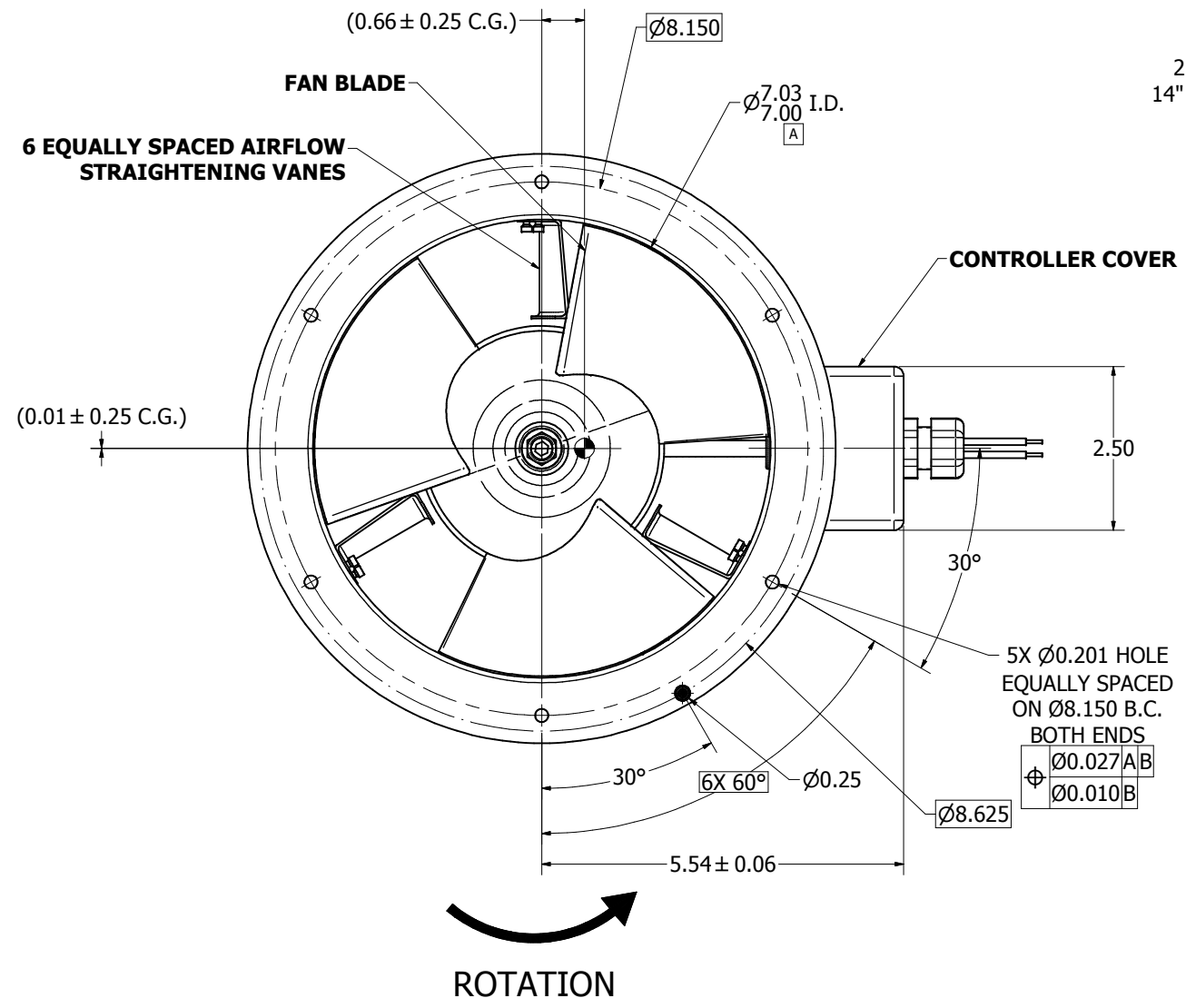
UNIT DESIGN SPECIFICATIONS	
OPERATING TEMPERATURE	-65°F TO 165°F
VOLTAGE	28 VDC
CURRENT	22 AMPS MAX
AIRFLOW	1000 CFM AT 1.0" H <sub>2</sub> O & 0.0765 LBS/CU FT AIR DENSITY
OPERATING ALTITUDE	-1000 TO 47,000 FEET
WEIGHT	6.5 LBS MAX



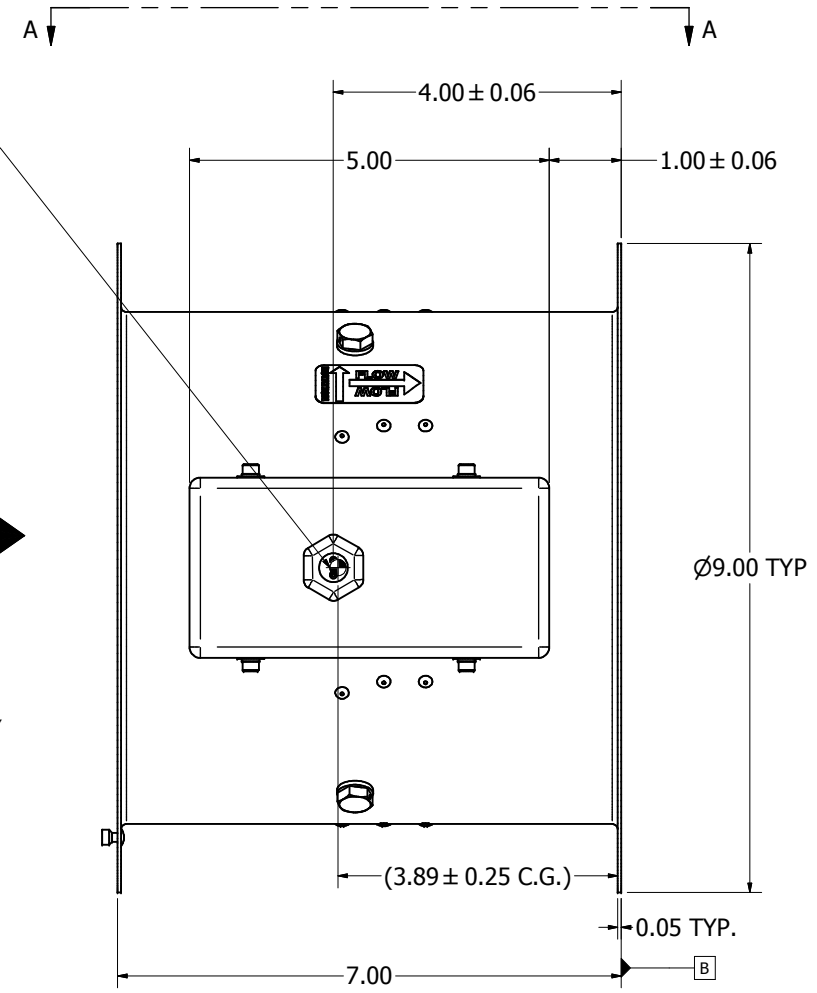
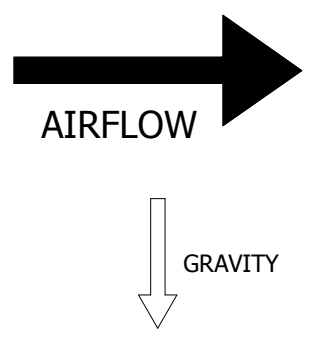
VIEW A-A  
SCALE 1 : 2



CONTROLLER DRAIN HOLES  
6 PLACES



2 #12AWG LEADS PER MIL-W-22759/16  
14" MIN LENGTH FROM CONTROLLER COVER  
RED: +28VDC  
BLACK: GROUND



**PROPRIETARY NOTICE**  
THIS DRAWING IS A PART OF THE PROPRIETARY ARTICLE HEREIN DISCLOSED, AND ALL DESIGN, MANUFACTURING, REPRODUCTION, USE, PATENT RIGHTS AND SALES RIGHTS REGARDING THE SAME ARE EXPRESSLY RESERVED BY ENVIRO SYSTEMS, INC. IT IS SUBMITTED UNDER A CONFIDENTIAL RELATIONSHIP FOR A SPECIFIC PURPOSE AND SHALL NOT BE DISCLOSED TO ANY UNAUTHORIZED PERSON, COMPANY, OR INCORPORATED IN ANY OTHER PROJECTS.

**ENVIRO SYSTEMS, INC.**  
SEMINOLE, OKLAHOMA

**FAN, AXIAL, 7 INCH**

SIZE	CAGE CODE	DRAWING NO.	REV.
D 0B9E8		1250435-CAT	C
SCALE: 3:4		WEIGHT: 5.6 MAX LBS   SHEET 1 OF 1	