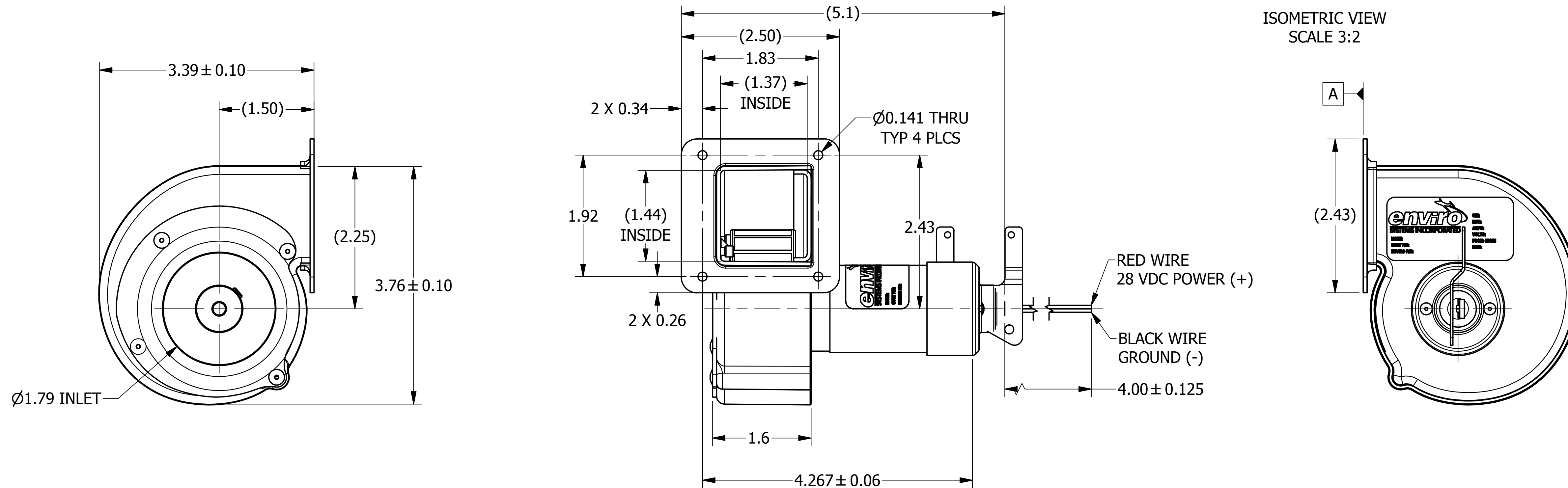


**DESIGN SPECIFICATIONS**

AIRFLOW \_\_\_\_\_ 50 CFM  
 STATIC PRESSURE \_\_\_\_\_ 2.0" W.G. MAX.  
 VOLTAGE \_\_\_\_\_ 28 VDC  
 CURRENT \_\_\_\_\_ 3.0 A MAX.  
 WEIGHT \_\_\_\_\_ 1.0 LBS MAX.  
 BRUSH LIFE \_\_\_\_\_ 1000 HRS.  
 OP. TEMP. \_\_\_\_\_ 5°F TO 158°F  
 OP. ALTITUDE \_\_\_\_\_ S.L. TO 15K FT.



<p><b>PROPRIETARY NOTICE</b>          THIS DRAWING IS A PART OF THE PROPRIETARY ARTICLE HEREIN DISCLOSED, AND ALL DESIGN, MANUFACTURING, REPRODUCTION, USE, PATENT RIGHTS AND SALES RIGHTS REGARDING THE SAME ARE EXPRESSLY RESERVED BY ENVIRO SYSTEMS, INC. IT IS SUBMITTED UNDER A CONFIDENTIAL RELATIONSHIP FOR A SPECIFIC PURPOSE AND SHALL NOT BE DISCLOSED TO ANY UNAUTHORIZED PERSON, COMPANY, OR INCORPORATED IN ANY OTHER PROJECTS.</p>		<p><b>ENVIRO SYSTEMS, INC.</b>          SEMINOLE, OKLAHOMA</p>	
<p><b>TITLE</b>  <b>BLOWER, COCKPIT</b></p>		<p><b>SCALE:</b> FULL   <b>WEIGHT:</b> NOTED   <b>SHEET</b> 1 OF 1</p>	
<p><b>SIZE</b>  <b>D 0B9E8</b></p>	<p><b>CAGE CODE</b>  <b>1250030-CAT</b></p>	<p><b>DRAWING NO.</b>  <b>1250030-CAT</b></p>	<p><b>REV.</b></p>