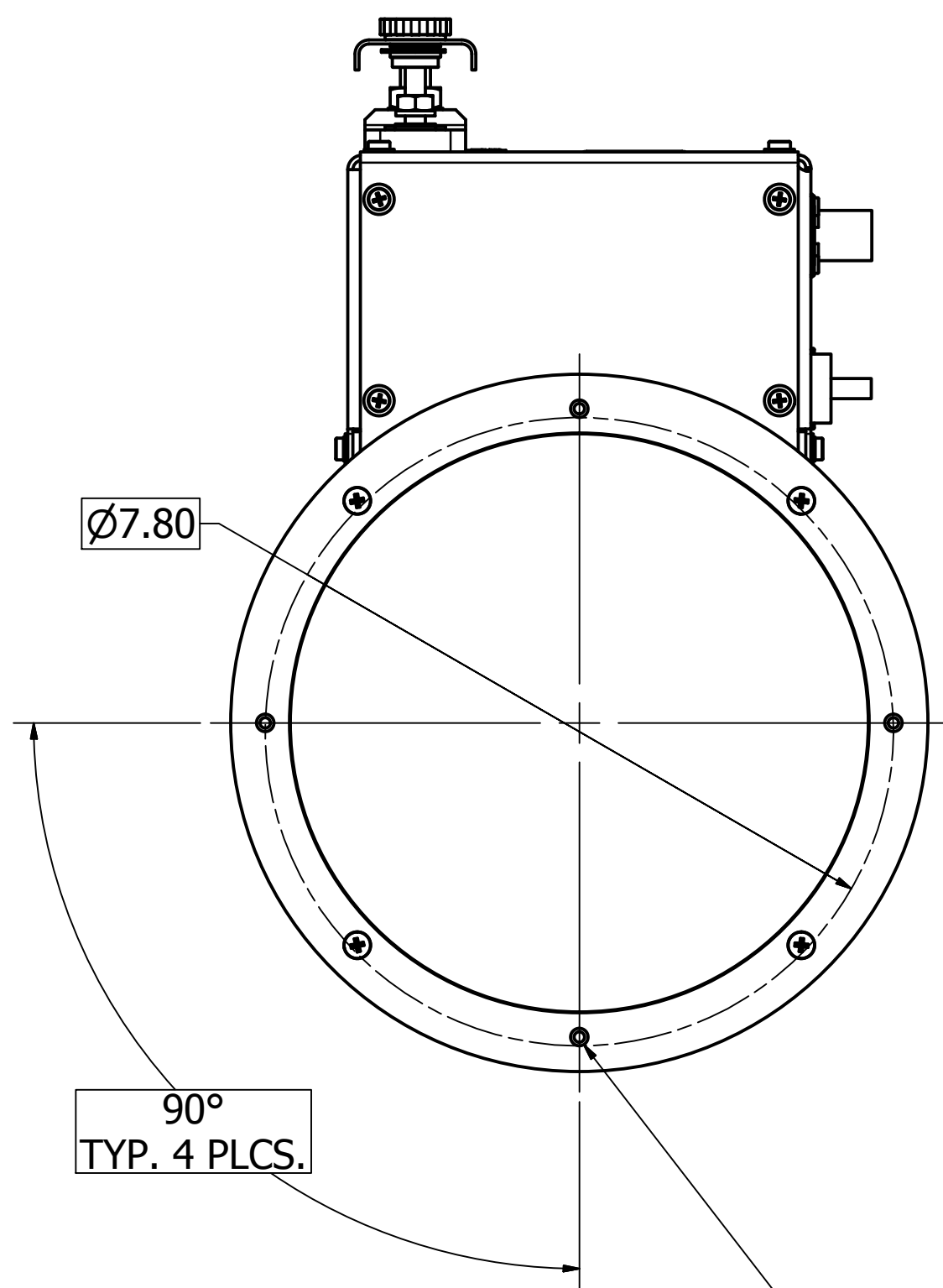
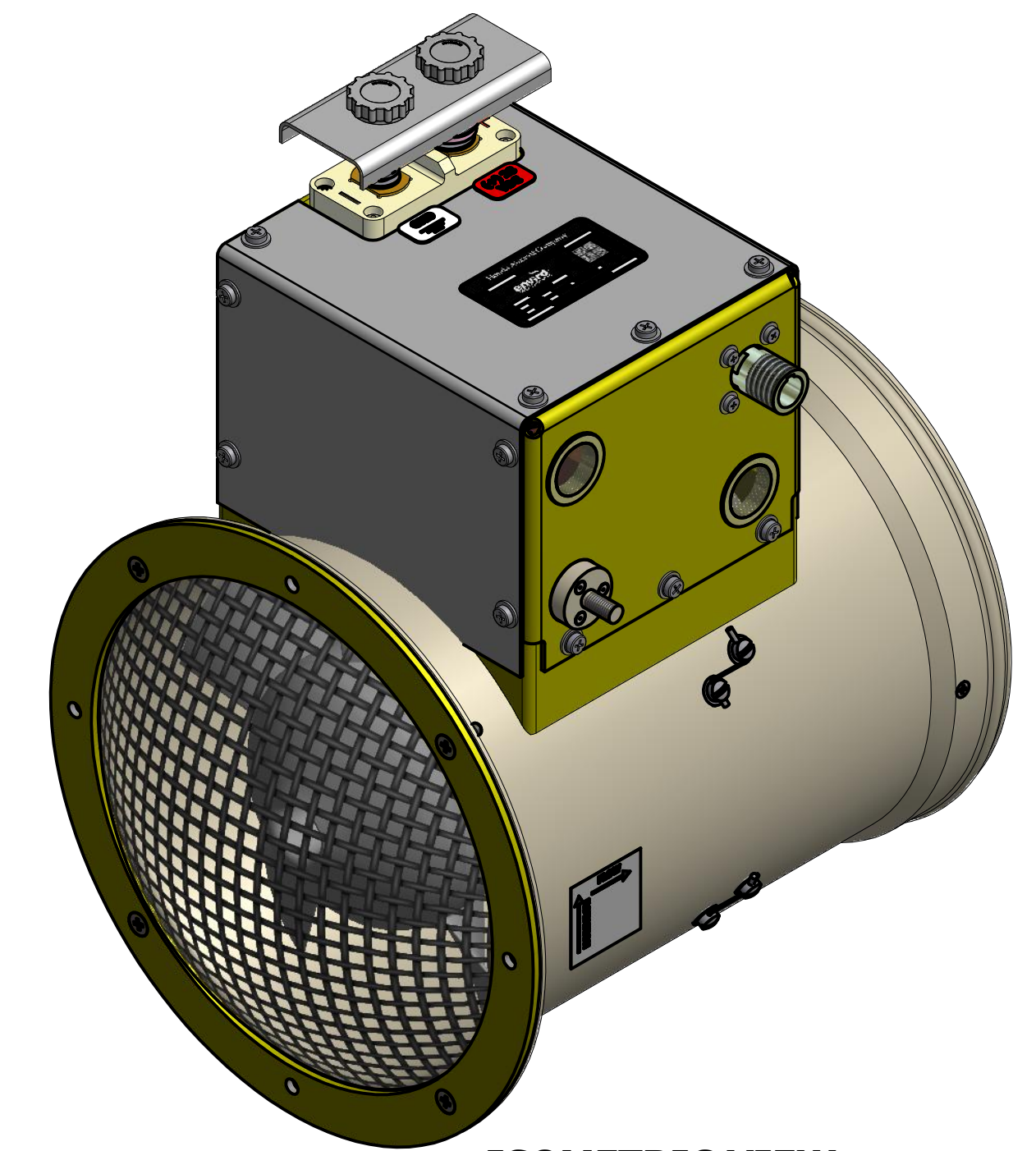
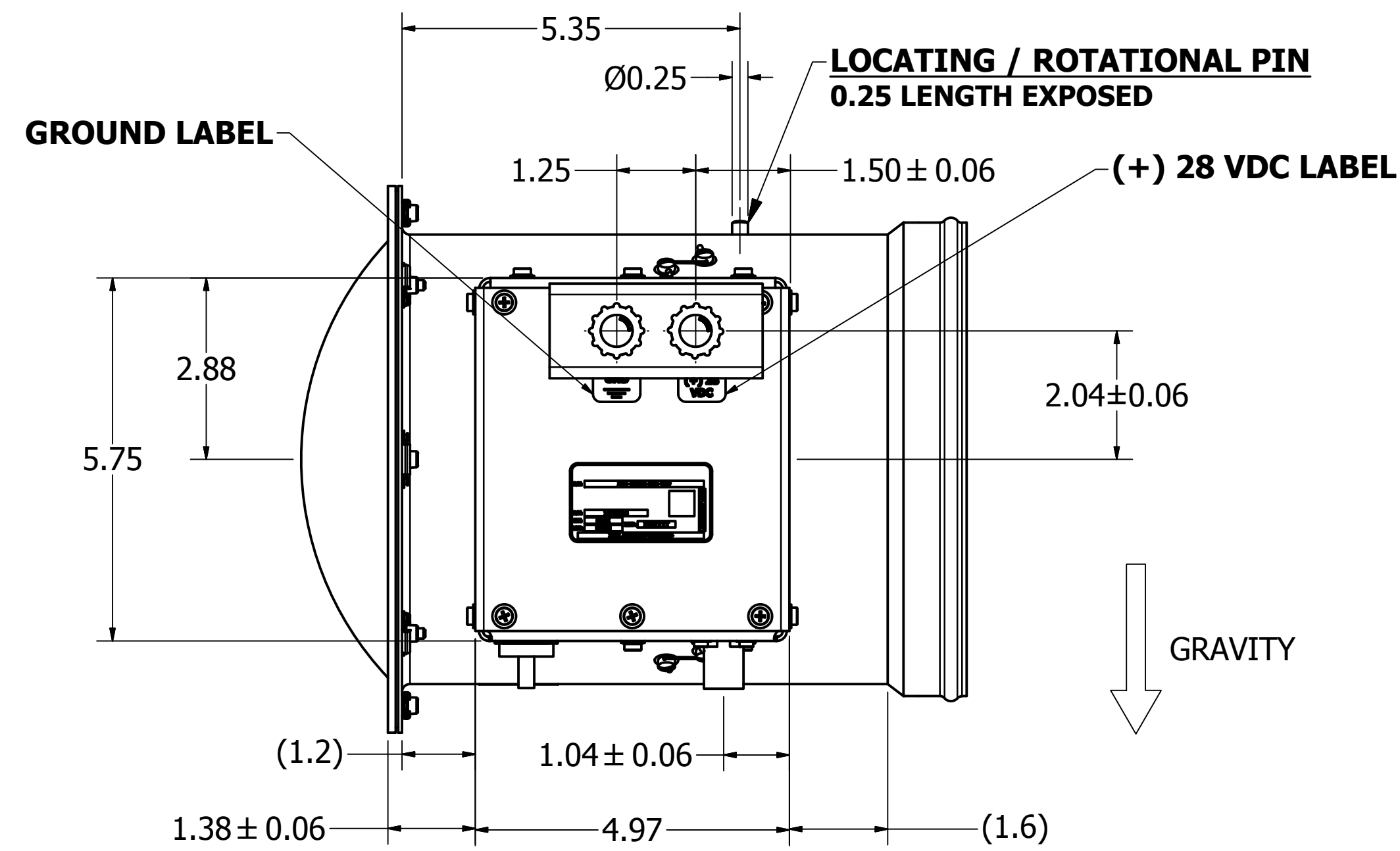
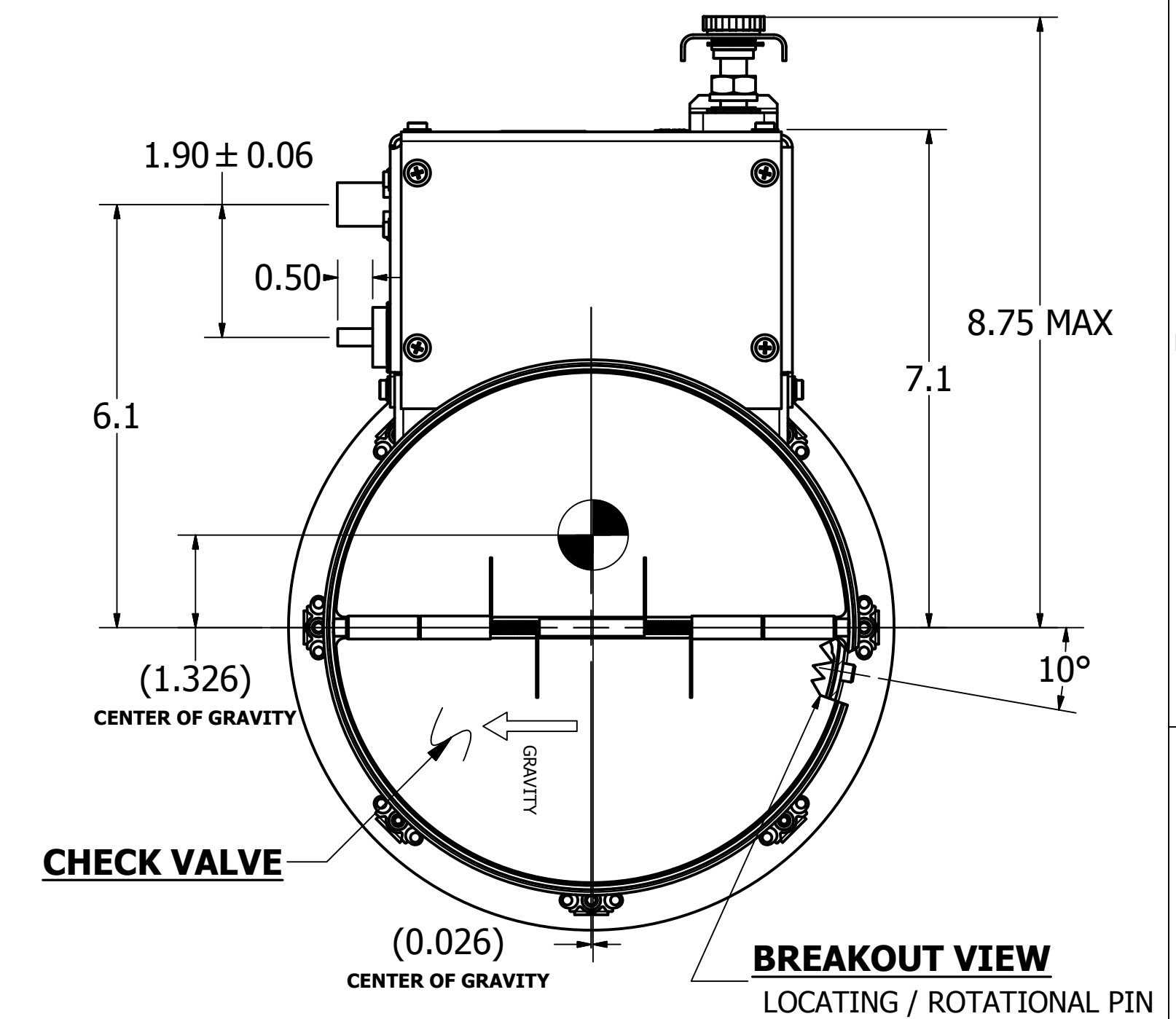
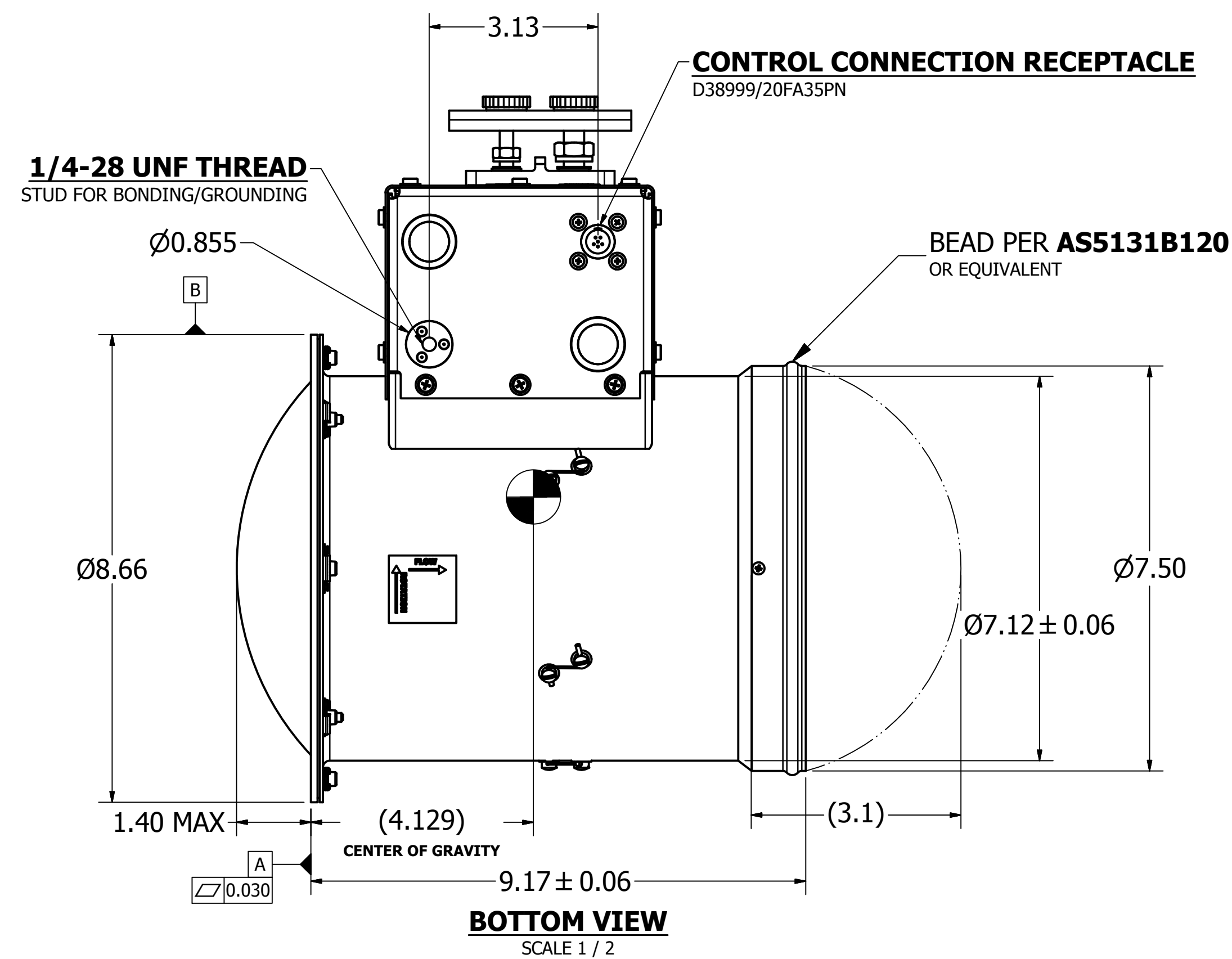


DESIGN SPECIFICATIONS

AIRFLOW (HIGH SPEED)	1300 SCFM
STATIC PRESSURE (HIGH SPEED)	5.0" W.G.
VOLTAGE	28.0 VDC (NOM.)
HIGH SPEED	9,900 RPM (MIN.)
HIGH SPEED CURRENT	86.0 AMPS (MAX.)
LOW SPEED	8,000 RPM (MIN.)
LOW SPEED CURRENT	50.0 AMPS (MAX.)
WEIGHT	15.0 LBS (MAX.)
OPERATING TEMPERATURE	-67°F TO 158°F
ALTITUDE	-1K TO 50K FT



FLOATING NUTPLATE
MS21059L08
Ø0.218 THRU HOLE
TYP 4 PLCS.
FOR HONDA INTERFACE



PROPRIETARY NOTICE THIS DRAWING IS A PART OF THE PROPRIETARY ARTICLE HEREIN DISCLOSED, AND ALL DESIGN, MANUFACTURING, REPRODUCTION, USE, PATENT RIGHTS AND SALES RIGHTS REGARDING THE SAME ARE EXPRESSLY RESERVED BY ENVIRO SYSTEMS, INC. IT IS SUBMITTED UNDER A CONFIDENTIAL RELATIONSHIP FOR A SPECIFIC PURPOSE AND SHALL NOT BE DISCLOSED TO ANY UNAUTHORIZED PERSON, COMPANY, OR INCORPORATED IN ANY OTHER PROJECTS.		ENVIRO SYSTEMS, INC. SEMINOLE, OKLAHOMA	
FAN, GROUND COOLING		SIZE CAGE CODE D 0B9E8 DRAWING NO. 1150300-CAT REV.	
SCALE: NOTED		WEIGHT: 14.90	
SHEET 1 OF 1		SHEET 1 OF 1	