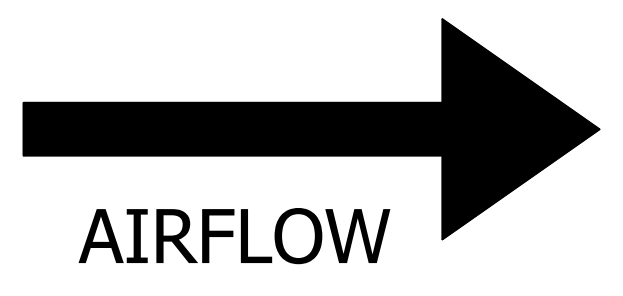
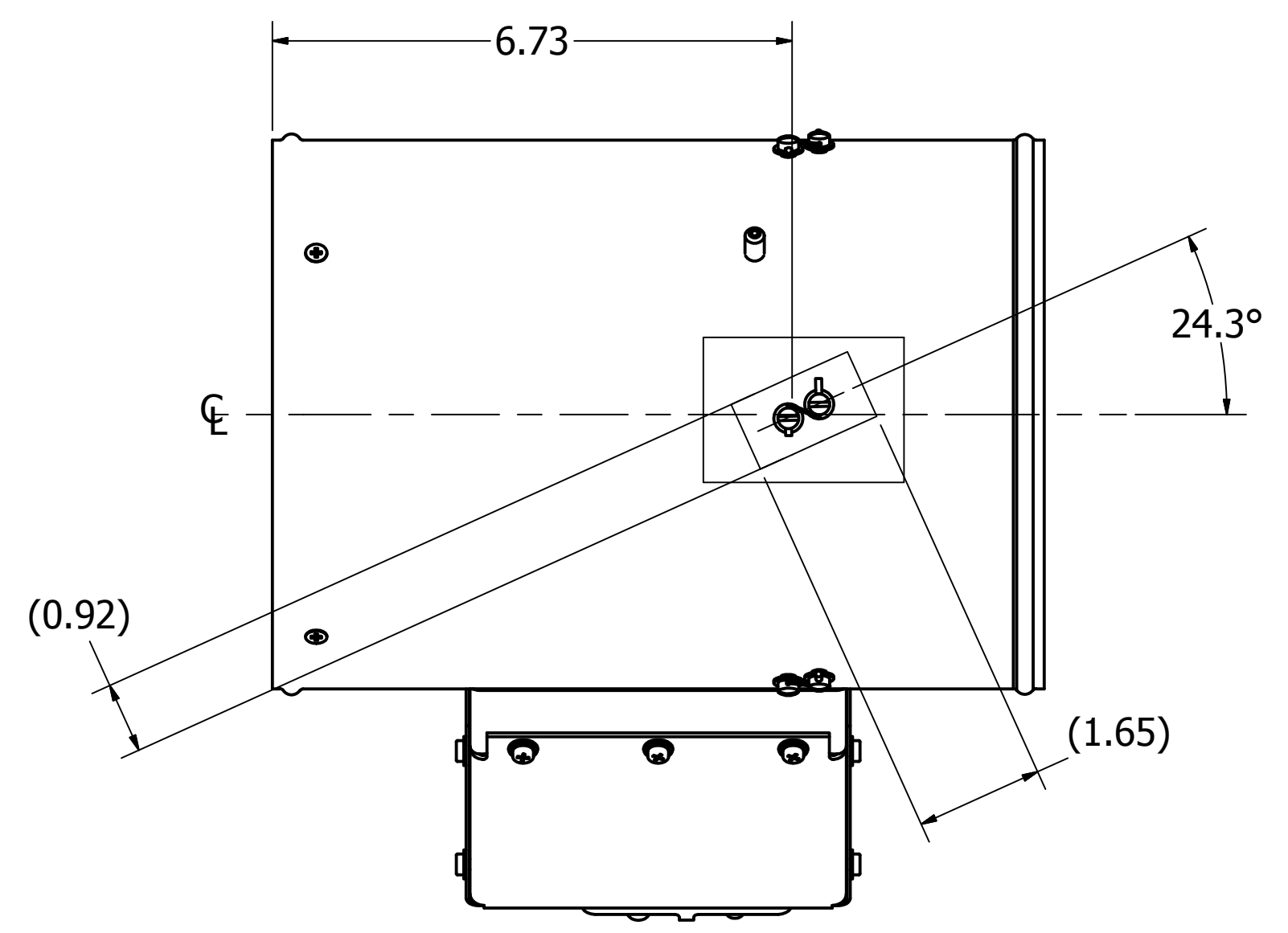
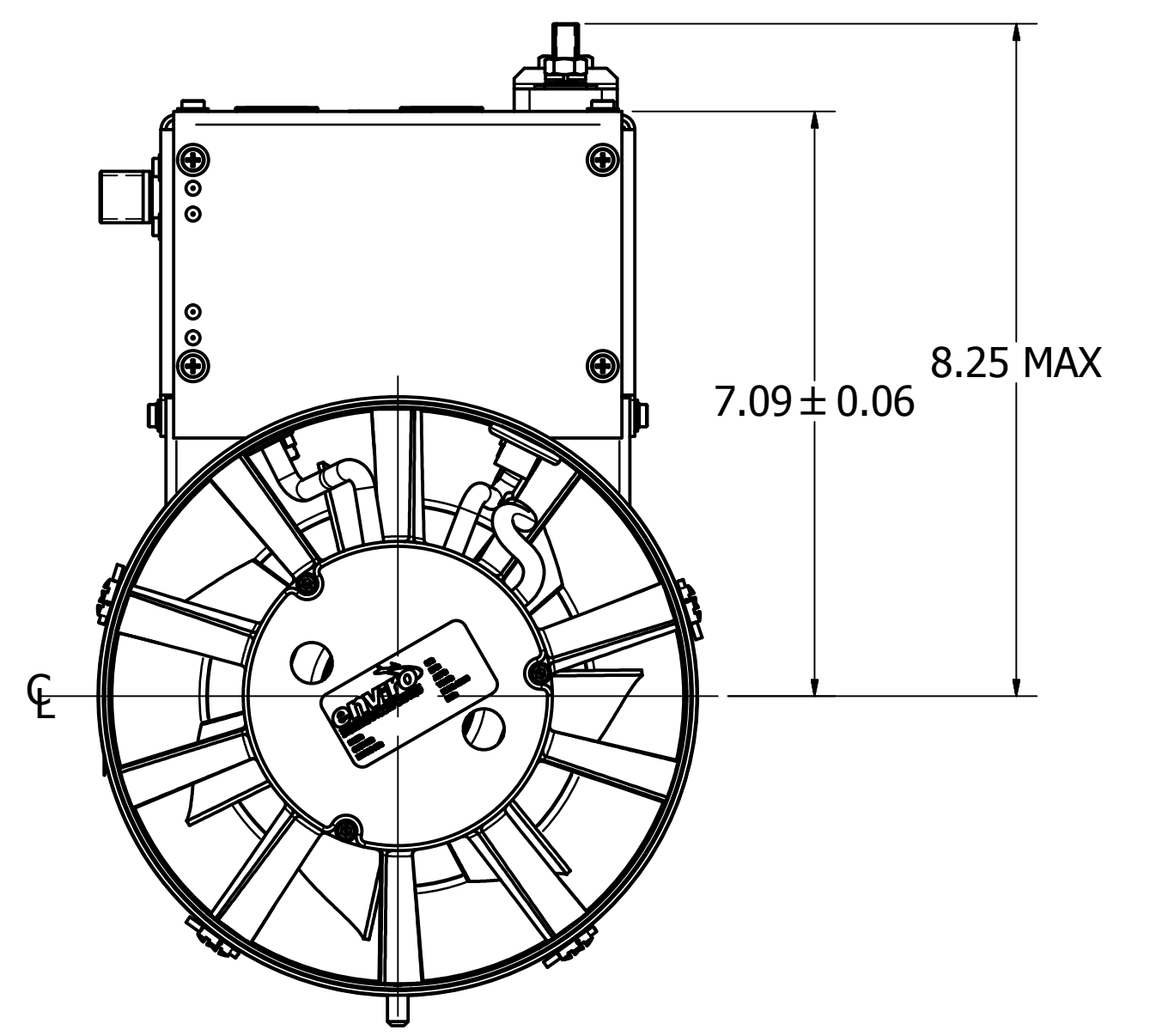
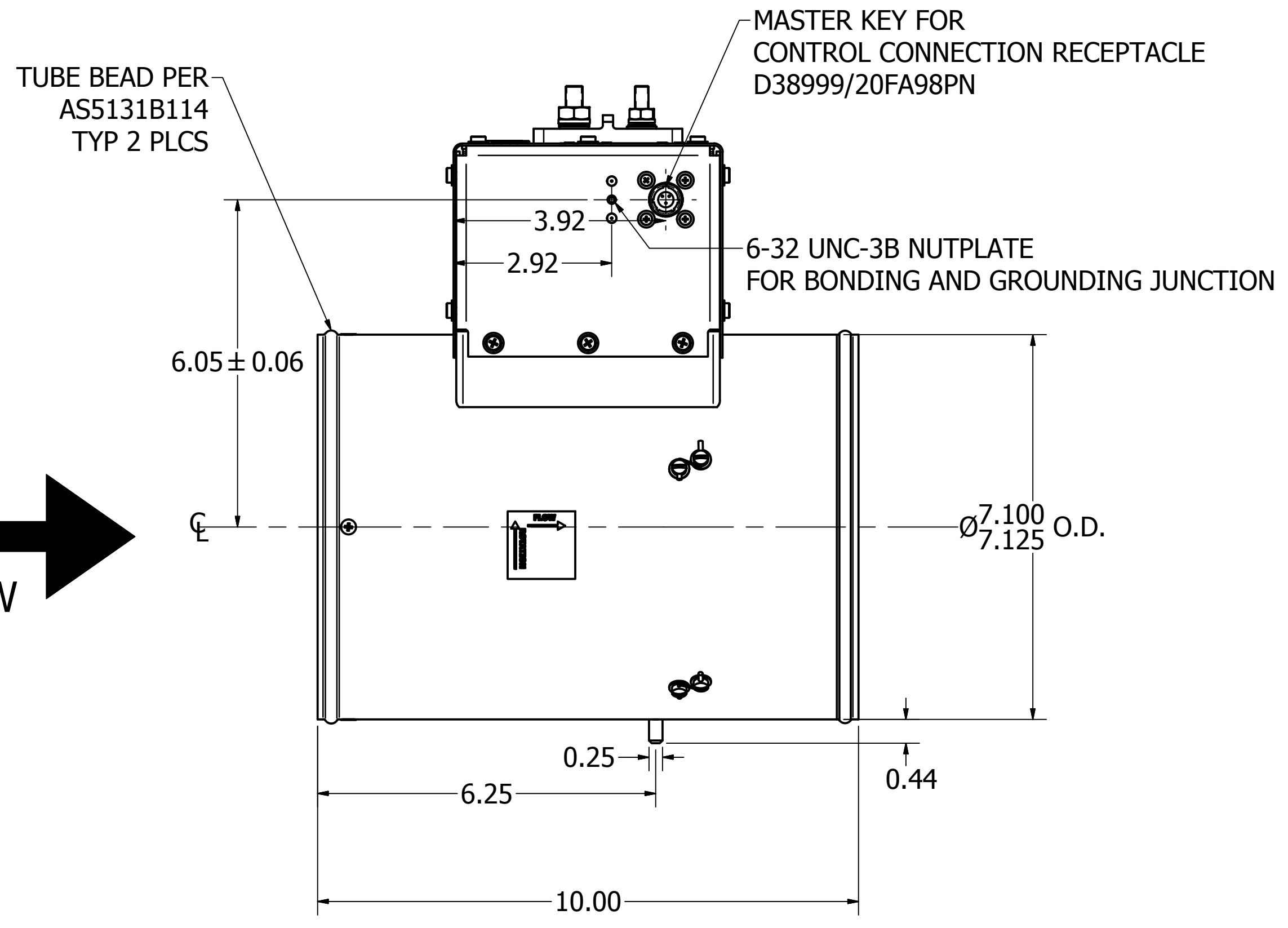


DESIGN SPECIFICATIONS

AIRFLOW	1400 SCFM
STATIC PRESSURE	3.5 IN. W.G.
	EXTERNAL TO FAN
VOLTAGE	28.0 VDC
CURRENT	80.0 AMPS (MAX.)
SPEED	12,000 RPM (MAX.)
WEIGHT	14.25 LBS. (MAX.)
TEMPERATURE	-65F TO 165F
ALTITUDE	-1K TO 45K FT.



BOLT HEAD AND SAFETY CABLE
RECOMMENDED CLEARANCES
TYP 2 PLCS

PROPRIETARY NOTICE
THIS DRAWING IS A PART OF THE PROPRIETARY ARTICLE
HEREIN DISCLOSED, AND ALL DESIGN, MANUFACTURING,
REPRODUCTION, USE, PATENT RIGHTS AND SALES RIGHTS
REGARDING THE SAME ARE EXPRESSLY RESERVED BY
ENVIRO SYSTEMS, INC. IT IS SUBMITTED UNDER A
CONFIDENTIAL RELATIONSHIP FOR A SPECIFIC PURPOSE
AND SHALL NOT BE DISCLOSED TO ANY UNAUTHORIZED
PERSON, COMPANY, OR INCORPORATED IN ANY OTHER
PROJECTS.

ENVIRO SYSTEMS, INC.
SEMINOLE, OKLAHOMA

FAN, CONDENSER, 7IN

SIZE	CAGE CODE	DRAWING NO.	REV.
D 0B9E8		1133720-CAT	
SCALE:	1/2	WEIGHT: 14.25	SHEET 1 OF 1