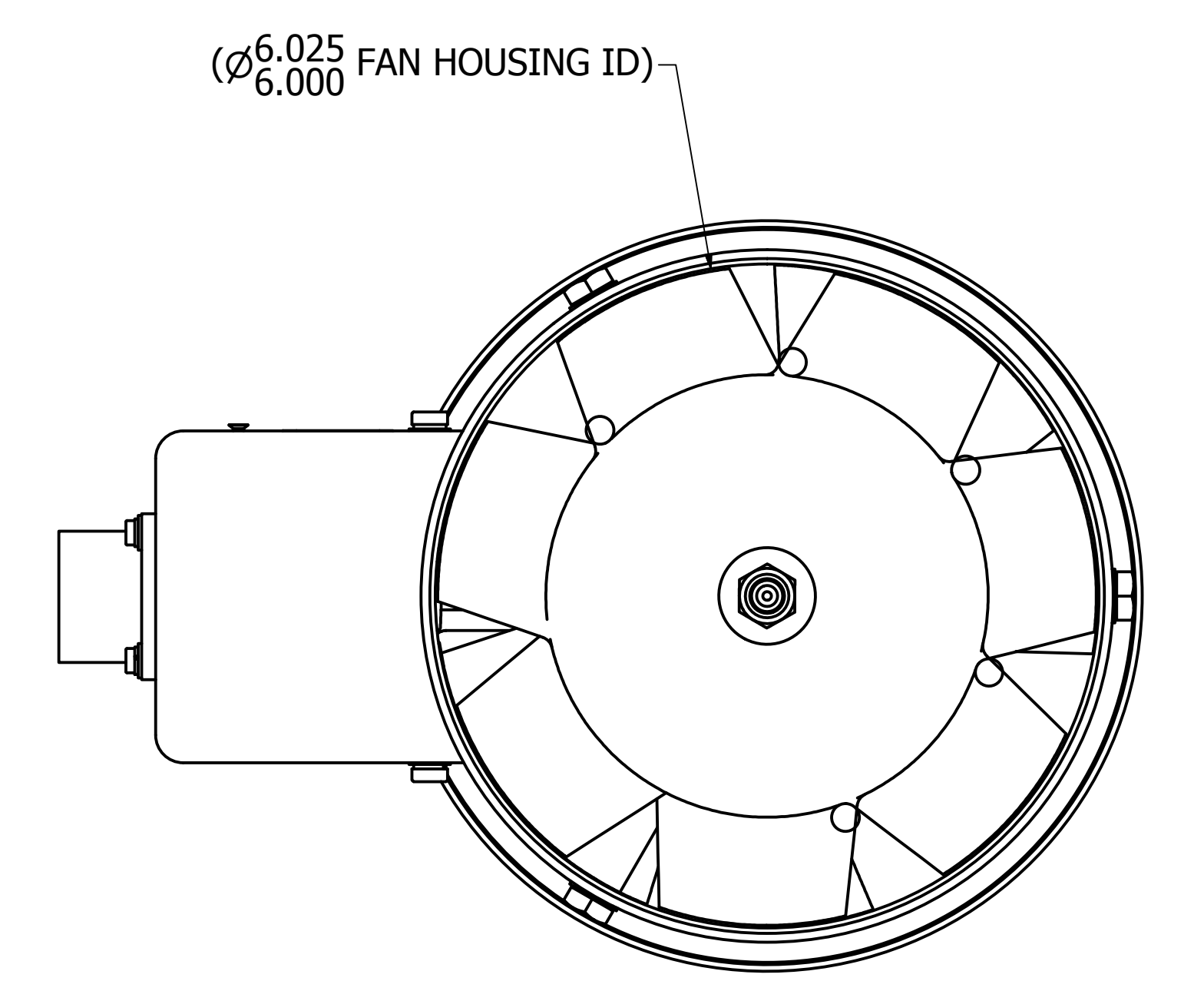
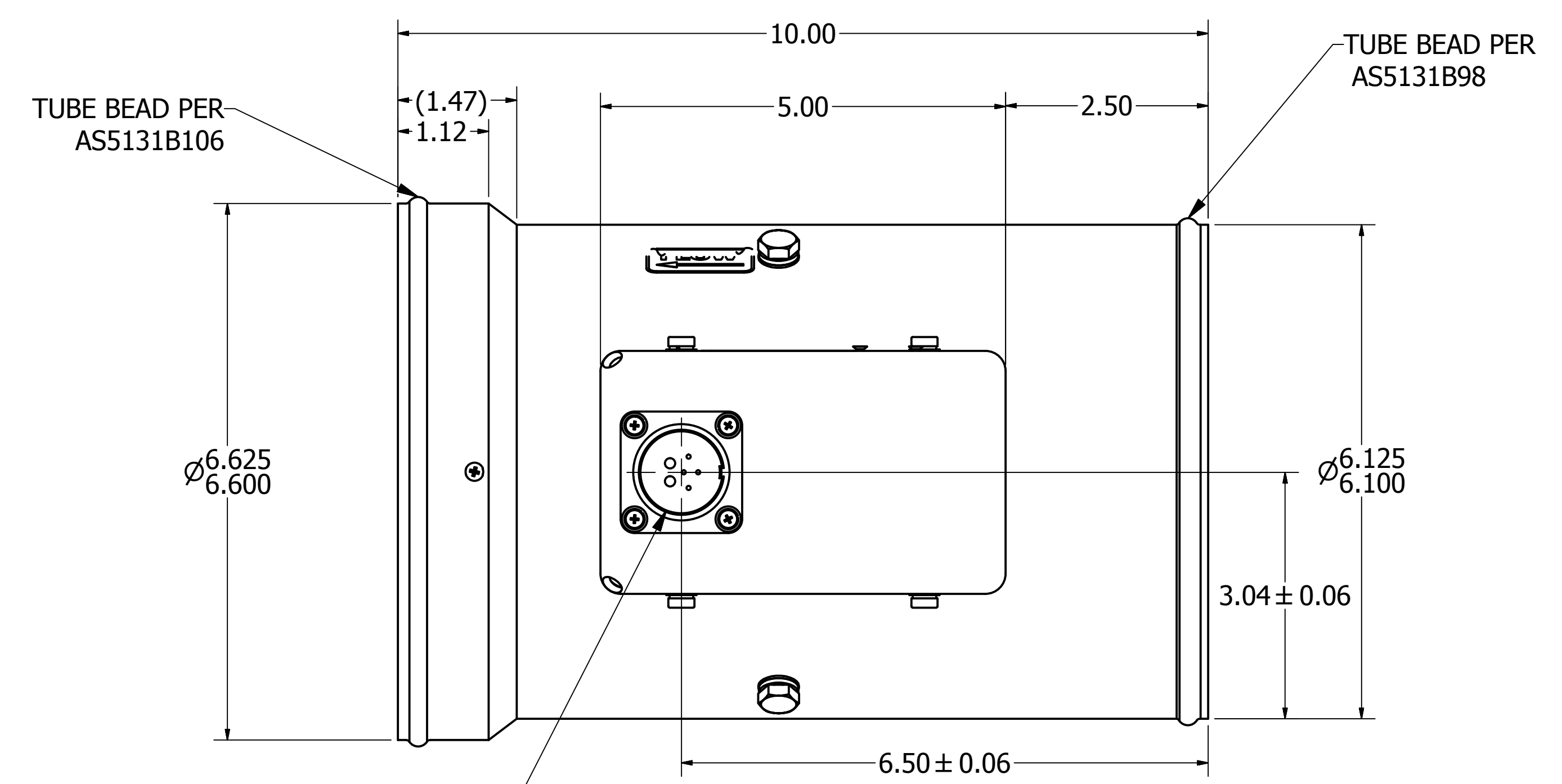
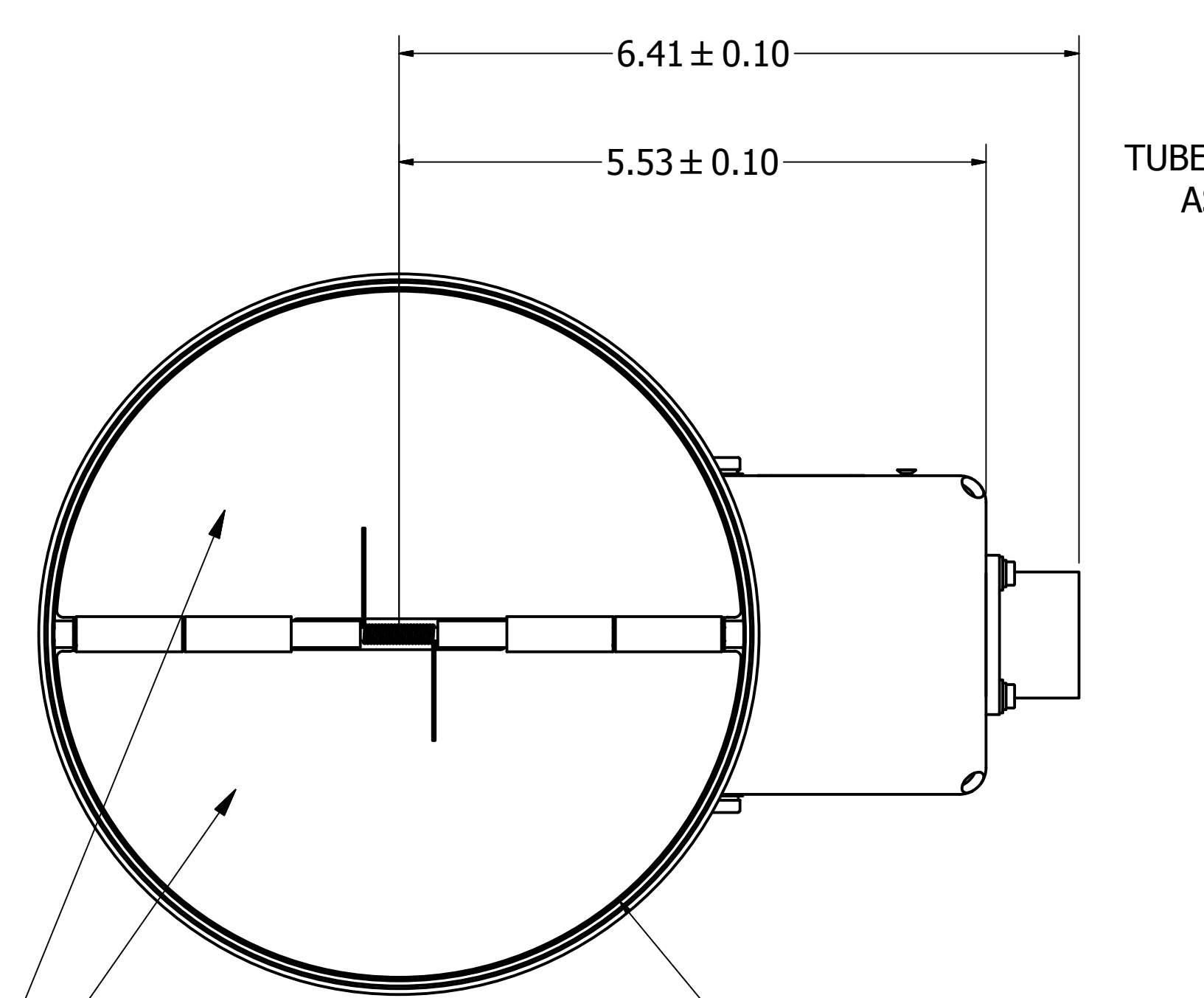


AIRCRAFT INSTALLATION ORIENTATION

**PERFORMANCE SPECIFICATIONS**

|                 |  |
|-----------------|--|
| AIRFLOW         | 550 CFM                                |
| STATIC PRESSURE | 2 IN. W.G. EXTERNAL TO FAN/CHECK VALVE |
| VOLTAGE         | 28 VDC                                 |
| CURRENT         | 18.0A MAX @ DESIGN POINT               |
| WEIGHT          | 9.5 LBS (MAX)                          |
| SPEED           | 8500 RPM (MAX)                         |
| MOTOR TYPE      | BRUSHLESS DC                           |
| TEMPERATURE     | -65F TO 165F                           |
| ALTITUDE        | -1K TO 45K FT.                         |



**PROPRIETARY NOTICE**  
 THIS DRAWING IS A PART OF THE PROPRIETARY ARTICLE HEREIN DISCLOSED, AND ALL DESIGN, MANUFACTURING, REPRODUCTION, USE, PATENT RIGHTS AND SALES RIGHTS REGARDING THE SAME ARE EXPRESSLY RESERVED BY ENVIRO SYSTEMS, INC. IT IS SUBMITTED UNDER A CONFIDENTIAL RELATIONSHIP FOR A SPECIFIC PURPOSE AND SHALL NOT BE DISCLOSED TO ANY UNAUTHORIZED PERSON, COMPANY, OR INCORPORATED IN ANY OTHER PROJECTS.

**ENVIRO SYSTEMS, INC.**  
 SEMINOLE, OKLAHOMA

**VANE AXIAL FAN, 6"**

|        |           |             |              |
|--------|-----------|-------------|--------------|
| SIZE   | CAGE CODE | DRAWING NO. | REV.         |
| D      | 0B9E8     | 1133660-CAT |              |
| SCALE: | 1:1       | WEIGHT: 9.5 | SHEET 1 OF 1 |