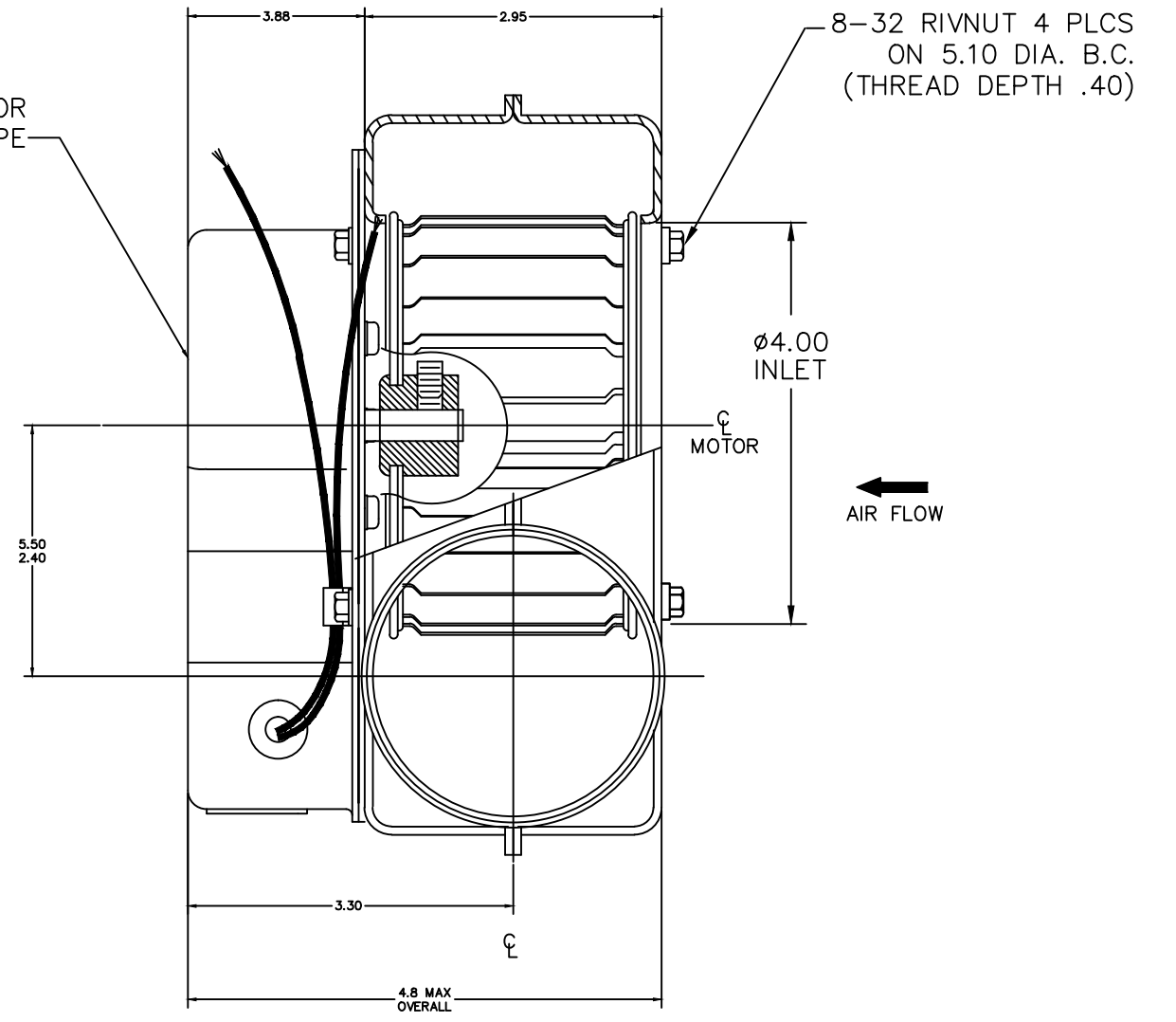


BLOWER MOTOR
BRUSHLESS TYPE

AIR FLOW



DESIGN SPECIFICATIONS

- | | |
|-----------------|-------------------------|
| 1. AIR FLOW | SEE GRAPH |
| 2. VOLTAGE | 22-32 VDC, 28 VDC RATED |
| 3. OPERATION | CONTINUOUS |
| 4. ALTITUDE | -1,000 TO 41,000 FT |
| 5. TEMPERATURE | -40 TO 160°F |
| 6. WEIGHT | 3.75 LBS MAX. |
| 7. SERVICE LIFE | 5000 HOURS |

PROPRIETARY NOTICE
THIS DRAWING IS A PART OF THE PROPRIETARY ARTICLE
HEREIN DISCLOSED, AND ALL DESIGN, MANUFACTURING,
REPRODUCTION, USE, PATENT RIGHTS AND SALES RIGHTS
REGARDING THE SAME ARE EXPRESSLY RESERVED BY
ENVIRO SYSTEMS, INC. IT IS SUBMITTED UNDER A
CONFIDENTIAL RELATIONSHIP FOR A SPECIFIC PURPOSE
AND SHALL NOT BE DISCLOSED TO ANY UNAUTHORIZED
PERSON, COMPANY, OR INCORPORATED IN ANY OTHER
PROJECTS.

ENVIRO SYSTEMS, INC.
SEMINOLE, OKLAHOMA

BLOWER ASSEMBLY

SIZE	CAGE CODE	DRAWING NO.	REV.
D	0B9E8	1133380-CAT	
SCALE:	WEIGHT:	SHEET 1 OF 1	